

Meeting of the Technical Steering Committee of the Akraino Edge Stack Project

February 26, 2019



TSC Voting Member Roll Call

Member Company	Voting Member Name	Contact info
Arm	Tina Tsou	tina.tsou@arm.com
AT&T	Kandan Kathirvel	kk0563@att.com
Dell	Tim Epkes	tim_epkes@dell.com
Ericsson	Torbjörn Keisu	torbjorn.keisu@ericsson.com
Huawei	Wenjing Chu	wenjing.chu@huawei.com
Intel	Jenny Koerv	jenny.koerv@intel.com
Inwinstack	Thor Chin	thor.c@inwinstack.com
Juniper	Sukhdev Kapur	sukhdev@juniper.net
Nokia	Tapio Tallgren	tapio.tallgren@nokia.com
NTT	Takeshi Kuwahara	kuwahara.takeshi@lab.ntt.co.jp
Qualcomm	Shahid Khan	shahidk@qti.qualcomm.com
Radisys	Prakash Siva	psiva@radisys.com
Red Hat	Frank Zdarsky	zdarsky@redhat.com
Seagate Technologies	Tim Walker	tim.t.walker@seagate.com
WindRiver	Jim Einarsson	jim.einarsson@windriver.com

Agenda

- › PTL Updates
- › Akraino Validation Lab Update – Cesar Berho

PTL Updates

› PTLs to provide updates on the status of the Blueprints and Feature Projects

Blueprint	Winner of PTL Election
SEBA	Aaron Byrd- AT&T
Serverless	Itamar Eshet- AT&T
Unicycle	David Plunkett- AT&T
Rover	David Plunkett- AT&T
OVS-DPDK	Rakesh Bohra- Ericsson
Tungsten Fabric	Sukdev Kapur - Juniper
Edge Video Processing	Adnan Saleem- Radisys
Enterprise Edge Lightweight and IoT	Khemendra Kumar- Huawei
ELIOT SD-WAN/WAN Edge/uCPE	Khemendra Kumar- Huawei
IEC Type 1	Trevor Tao (ARM)
IEC Type 2	Xinhuli (VMWare)
Industrial Edge	Yolanda Robla – Red Hat
Provider Access Edge	Yolada Robla – Red Hat
Micro MEC	Tapio Tallgren- Nokia
Radio Edge Cloud	Paul Carver- AT&T
Starling X	Bill Zvonar- Wind River
Time Critical Edge	Shane Dewing- Intel

Feature Project	Winner of PTL Elected
Akraino Portal	Mike Hunter – AT&T
Cluster Health & Overload Monitoring Platform (CHOMP)	Mike Hunter – AT&T
Support of OVS-DPK in Airship	Georg Kunz – Ericsson
Blueprint Validation Framework	Tapio Tallgren - Nokia

PTL TSC Presentation Criteria
Is a validation lab in place?
Has a code repository been established?
Have regular meetings been scheduled?
Has a backlog been established?
Have any issues been identified that require support from the TSC?

› <https://wiki.akraino.org/display/AK/Project+Status+in+Release+1>

Akraino Lab Infrastructure updates and CI Best practices

Blueprint Validation Lab Subcommittee



Akraino Lab Timeline

December

Akraino F2F (SC)

Project and BP capacity planning started

Initial donations mapped

January

Project and BP capacity planning delivered to LF. Included purchases and donations.

First round of reviews and questions sent back for specific donations/HW requests.

February

Second round of questions targeting electrical specs and vendors involved.

Vendor, and key contacts delivered to LF.

Donation agreements under review.

RFP finalists OSU and UNH (expertise on LaaS)

March

RFP Process concluded

Donation agreement drafts

Execution of Community Lab purchases

Basic CI Services

- › All CI services are run/maintained by the Linux Foundation
- › Basic layout/operation of services is similar to other LF-run sites (e.g. *onap.org*, *acumos.org*, etc.)
- › Gerrit: for source code (*gerrit.akraino.org*)
- › Jenkins: for code builds and unit tests (*jenkins.akraino.org*)
- › Nexus: for repositories (*nexus.akraino.org*)
- › SonarQube: for automated code inspection (*sonar.akraino.org*)
- › Wiki: for documentation (*wiki.akraino.org*)
- › Jira: for issues (*jira.akraino.org*)
- › All services are *https* or *ssh* (Gerrit)
- › A Linux Foundation ID is required for all services



New Projects

- › PTL reach out to Blueprint Validation Lab sub-committee ci@lists.akraino.org to create project under Gerrit and in other LF infra. Including VMs or community lab share they may need.
- › CI/Validation sub-committee approves the request and assist PTL to access the resources.
- › PTL coordinates with the project team to start the development.
- › Projects have a list of committers who can put code into the projects
- › Recommend projects be named as such: <blueprint-name>_<subproject-name>
- › New Projects: Blueprint Validation Lab sub-committee sends an email to helpdesk@akraino.org with name of project (lower case) and list of committers
- › Documentation in wiki generally refers to the latest master branch code (may be overridden by documentation subcommittee).
- › PTL encourage to work with [Blueprint Validation Framework](#).



CI Process - Gerrit

- › Code submitted to Gerrit from the developer
- › Code is reviewed and voted on via the normal Gerrit code review process
- › Reviewers need to have permissions (assigned by LF) to merge code
- › LF uses a voting range of -2..+2; +2 code is eligible to merge
- › LF guidelines on Gerrit use:

<https://docs.relog.linuxfoundation.org/en/latest/gerrit.html>

- › Code Review process described here:

<https://lf-relog-docs.readthedocs.io/en/latest/environment-overview.html>

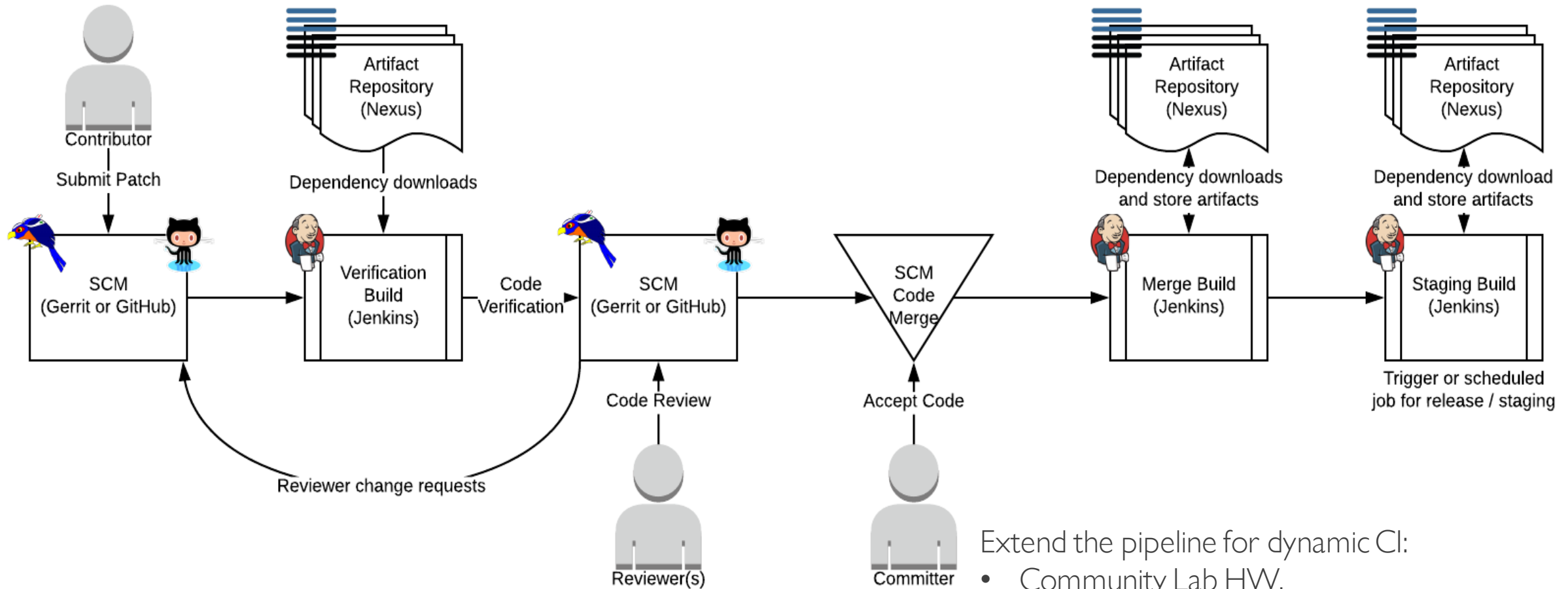


CI Process - Jenkins

- › Jenkins jobs are primarily defined by LF code
- › All Jenkins jobs are maintained in the *ci-management* project
- › Jobs are written as JJB (*Jenkins Job Builder*) templates, on a per-project basis
- › LF personnel code review/approve all changes to the *ci-management* project
- › More details here:
 - › <https://docs.relog.linuxfoundation.org/en/latest/>
 - › <https://github.com/lfit/relog-global-jjb>
 - › <https://github.com/lfit/relog-common-packer.git>
- › Jenkins Sandbox (<https://jenkins.akraino.org/sandbox/>) available to do limited testing of jobs (without Nexus)



Development workflow



- Extend the pipeline for dynamic CI:
- Community Lab HW.
 - Akraino Validation Framework.

Contacts

- › ci@lists.akraino.org
- › Cesar Berho – Subcommittee chair
- › helpdesk@akraino.org
- › Eric Ball – LF release manager



Backup



CI Process - Nexus

- › All built artifacts are stored in Nexus
 - › *nexus.akraino.org* - .tar, .war, and.jar files
 - › *nexus3.akraino.org* - Docker containers
- › CD retrieves from Nexus as the result of Gerrit API events
- › nexus3 can be used to retrieve Docker containers (supports Docker v2 API) – don't need DockerHub

CI Process – Wiki/Sonar/Jira

- › Wiki is the documentation of record for Akraino
- › SonarQube - used to check code quality of projects so configured in Jenkins