

Meeting of the Technical Steering Committee of the Akraino Edge Stack Project

March 26, 2019



TSC Voting Member Roll Call

Member Company	Voting Member Name	Contact info
Arm	Tina Tsou	tina.tsou@arm.com
AT&T	Kandan Kathirvel	kk0563@att.com
Dell	Tim Epkes	tim_epkes@dell.com
Ericsson	Torbjörn Keisu	torbjorn.keisu@ericsson.com
Huawei	Wenjing Chu	wenjing.chu@huawei.com
Intel	Jenny Koerv	jenny.koerv@intel.com
Inwinstack	Thor Chin	thor.c@inwinstack.com
Juniper	Sukhdev Kapur	sukhdev@juniper.net
Nokia	Tapio Tallgren	tapio.tallgren@nokia.com
NTT	Takeshi Kuwahara	kuwahara.takeshi@lab.ntt.co.jp
Qualcomm	Shahid Khan	shahidk@qti.qualcomm.com
Radisys	Prakash Siva	psiva@radisys.com
Red Hat	Frank Zdarsky	zdarsky@redhat.com
Seagate Technologies	Tim Walker	tim.t.walker@seagate.com
WindRiver	Dariush Eslimi	dariush.eslimi@windriver.com

Agenda

- › ONS Conference Planning
- › ONS Conference Volunteer Status
- › ONS Demo Status
- › F2F Meeting Agenda
- › Blueprint Validation Framework Update
- › Validation Lab Update
- › PTL Update

ONS Conference Planning

- › LF Edge Booth at ONS Conference: April 3-5, 2019 in San Jose, CA
 - › Volunteers planning to staff booth: <https://docs.google.com/spreadsheets/d/1aGeEXCJqxwi6wNwHbFScMR0JA0MaAsTqQuzrO63Ygfg/edit?usp=sharing>
 - › Demonstrations and videos status: <https://wiki.akraino.org/display/AK/Demos>
- › Akraino Panels Approved: <https://wiki.akraino.org/display/AK/Panels>
 - › 04/03 Wednesday 5:10pm - Edge Open Source Synergy to Deliver Value-added End-to-end Services
 - › 04/05 Friday 11:10am - Edge Computing League - LF Edge Umbrella
- › Akraino Speeches Approved: <https://wiki.akraino.org/display/AK/Speeches>
 - › 04/04 Thursday 5:00 pm - Your path to edge computing - Akraino Edge Stack
 - › 04/05 Friday 11:50 am - Securing the Smart Cities Edge with OP-TEE and Arm TrustZone

ONS Conference Volunteer Status

Current Sign-up status as of March 25th at 5 PM cst: [Link](#)

Time slot	Volunteer 1	Volunteer 2	Volunteer 3	Volunteer 4
Wednesday, April 3 (Booth is open 12-1; 2:30-5:40)				
12 :00 -1:00	Glenn Seiler	Ian Joliffe	Behdad Ebadifar	
2:30 - 3:30	Glenn Seiler	Rakesh Bohra	Behdad Ebadifar	
3:30 - 4:30	Wenjing Chu	Kandan Kathirvel	Sarah Beaudoin	
4:30 - 5:40		Sukhdev Kapur	Sarah Beaudoin	
Thursday, April 4 (Booth is open 7:30 - 9:00; 10:30 - 5:20)				
7:30 - 9:00	Cristian Mandras	Adrian Peret	Sarah Beaudoin	
10:30 - 11:30	Cristian Mandras	Adrian Peret	Sarah Beaudoin	
11:30 - 12:30	Trevor Tao	Kandan Kathirvel	Sarah Beaudoin	Janko Isidorovic
12:30 - 1:30	Glenn Seiler	Tina Tsou	Sarah Beaudoin	Janko Isidorovic
1:30 - 2:30	Robert Qiu	Rob Armstrong	Behdad Ebadifar	Janko Isidorovic
2:30 - 3:30	Yang (Gabriel) Yu	Rakesh Bohra	Behdad Ebadifar	Janko Isidorovic
3:30 - 4:30	Trevor Tao	Sukhdev Kapur	Behdad Ebadifar	Janko Isidorovic
4:30 - 5:20	Robert Qiu		Behdad Ebadifar	Janko Isidorovic
Friday, April 5 (Booth is open 7:30 - 9:00; 10:40 - 4:10)				
7:30 - 9:00			Sarah Beaudoin	
10:40 - 11:30	Wenhui Zhang		Sarah Beaudoin	
11:30 - 12:30	Balaji Ethirajulu		Sarah Beaudoin	
12:30 - 1:30	Rob Armstrong		Sarah Beaudoin	
1:30 -2:30	Kandan Kathirvel	Balaji Ethirajulu	Joel Vincent	
2:30 - 3:30	XINHUI LI	Sukhdev Kapur	Joel Vincent	
3:30 - 4:10			Joel Vincent	

ONS Demo Status

ONS Demo's uploaded as of March 25th at 5 PM cst [Link](#)

Projects	Interested in Participating	Main Contact	Demo Uploaded to Wiki
AT&T Demo	Yes	Kandan Kathirvel	
Akraino Blueprint Validation Framework			
Akraino Network Cloud Blueprint Family	Yes	Sukhdev Kapur	
Akraino Overview	Yes	Kandan Kathirvel, Tina Tsou, Glenn Seiler	
Akraino Portal Feature Project			
Cluster Health & Overload Monitoring			
Connected Vehicle Blueprint	Yes	Xin Qiu	
Edge Video Processing			
ELIOT	Yes	Khemendra Kumar, Yang Yu	
Ericsson vRAN Deployment OVS-DPDK	Yes	Rakesh Bohra, Torbjorn Keisu	Yes
Integrated Edge Cloud Blueprint	Yes	Trevor Tao, Xin Hulli	Yes
Kubernetes-Native Infrastructure Edge	Yes	Frank Zdarsky, Jennifer Koerv	
Micro-MEC	Yes	Tapio Tallgren	
Radio Edge Cloud	Yes	Cristian Mandras	
SEBA	Yes	Matt Taylor	
StarlingX	Yes	Bill Zvonar, Dariush Eslimi	
Time-Critical Edge Compute			



F2F Meeting Agenda Update

› Session 1, Tuesday April 2nd 2019

› Room: CR-SC12-638

Time	Topics
1:00pm – 3:00pm	Release 1 Planning 1. Documentation Sub-Committee update (<i>Sujata Tibrewala</i>) 2. Process Sub-Committee update/ Project maturity for release 1 @TSC (<i>Andrew Wilkinson</i>) 3. LF tools and Jenkins release process (<i>Eric Ball</i>) 4. Validation project (<i>Tapio Tallgren</i>)
3:00pm – 3:15pm	Coffee Break
3:15pm – 4:00pm	5. CI/CD 6. Community Lab update (<i>Cesar Berho and Brett Preston</i>) 7. Community Lab build process update 8. Co-chair for CI Sub-Committee
4:00pm – 4:30pm	9. LF Edge TAC process alignment @TSC 10. LF Edge overlap project -Define TSC Approach
4:30pm – 5:00pm	11. API Sub Committee Discussion

› Session 2, Friday April 5th 2019

› Room: CR-SC12-175

Time	Topics
8:00am – 9:30am	Project update from PTLs and TSC Members
9:30am – 9:45am	Coffee Break
9:45am – 10:40am	Open Discussion



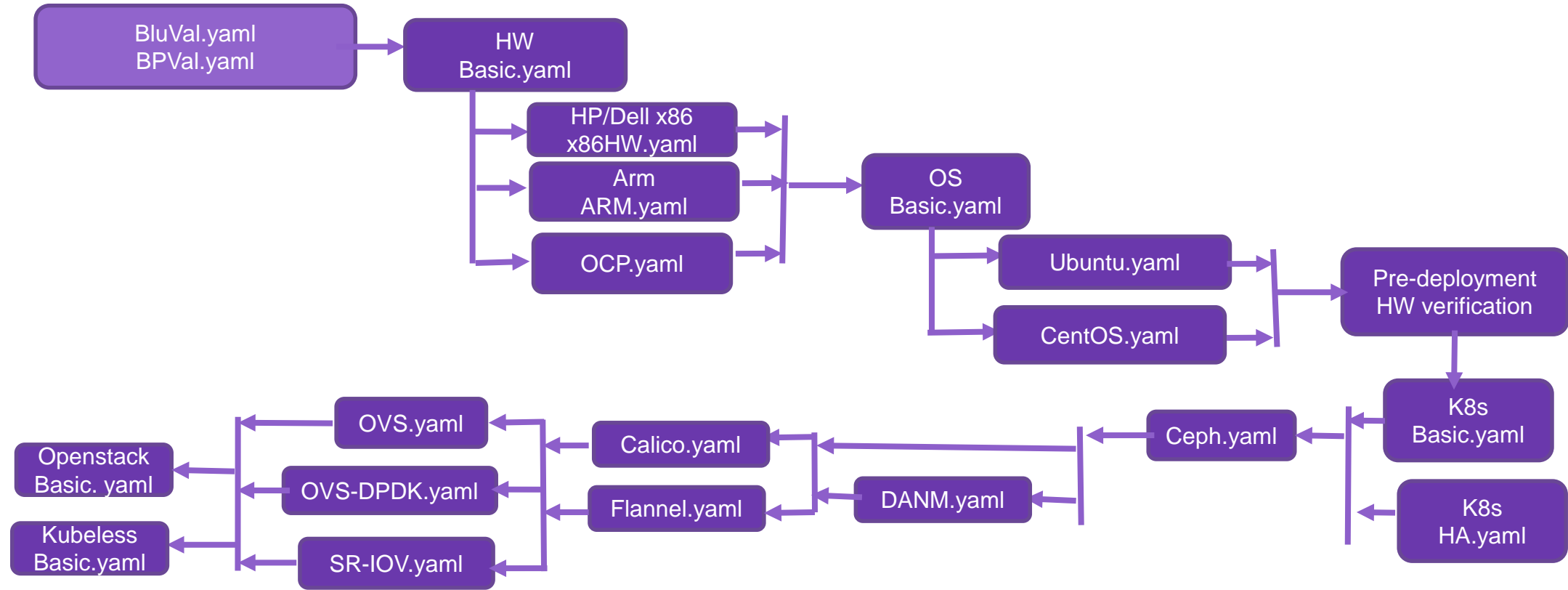
Blueprint Validation Framework Update



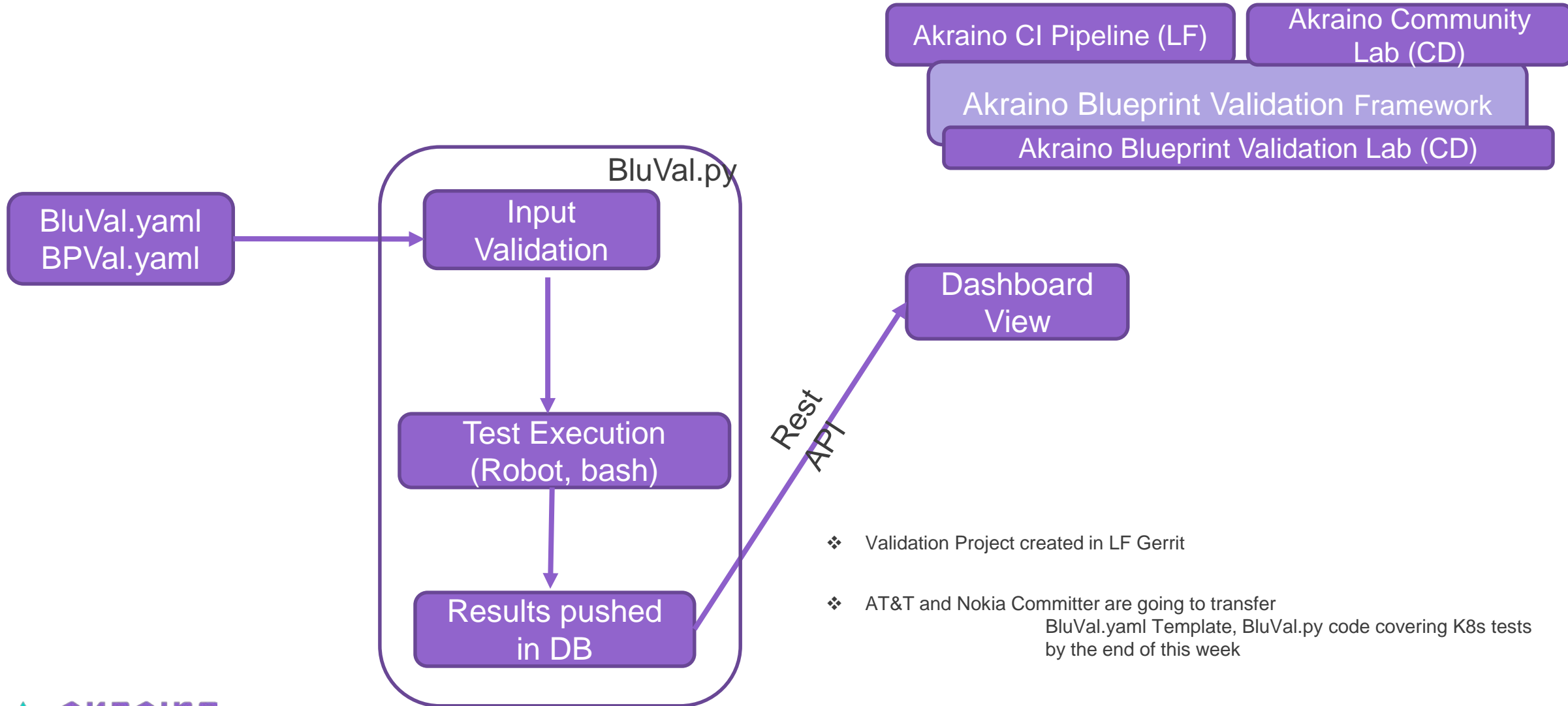
GOALS

1. The purpose of the Validation framework project is to define a standard set of tools and tests to evaluate Akraino Blueprints to determine if the blueprints are 'Akraino ready / validated'
2. As part of this, a consistent test framework that is automated and that works across all layers of the Akraino Edge Stack (HW, OS, K8s, Openstack, etc.) and across different BPs/BP Families will be provided.
3. Blueprint owners will be expected to conduct the standard tests with the specified tools. Project technical leads will share the results of the platform testing with the Akraino TSC so that the TSC can decide if the blueprint can proceed from the Incubation to Mature or Core stages.
4. The proposed test set would be required to be passed for all in-scope layers of Akraino BPs
5. The validation framework defines a consistent minimum mandatory test set and test tools
6. The validation framework can be extended to meet the requirements of Blueprints that are not included in the standard tests
7. It is incumbent on the blueprint owners to submit additional requirements to extend the validation framework in the feature project
8. Validation framework project will leverage pre-existing open source tool sets as much as possible

Akraino BluVal (or BPVal) Template Structure - Example

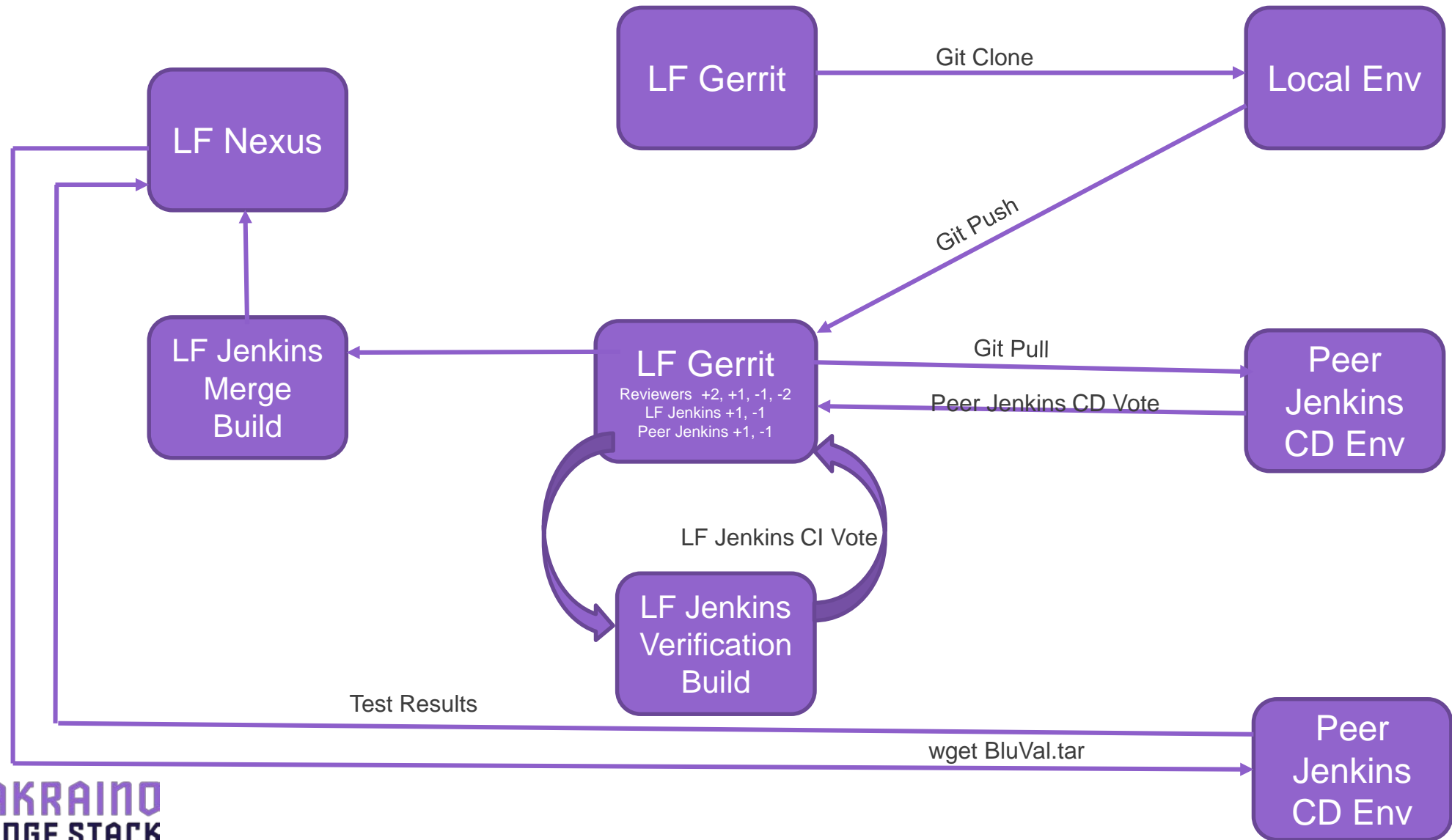


Akraino BluVal (or BPVal) Implementation Overview



- ❖ Validation Project created in LF Gerrit
- ❖ AT&T and Nokia Committer are going to transfer BluVal.yaml Template, BluVal.py code covering K8s tests by the end of this week

Akraino Blueprint Validation Feature Project Development Workflow



Validation Lab Update



PTL Update

- › PTLs to provide updates on the status of the Blueprints and Feature Projects

Blueprint	Winner of PTL Election
SEBA	Aaron Byrd- AT&T
Serverless	Itamar Eshet- AT&T
Unicycle	David Plunkett- AT&T
Rover	David Plunkett- AT&T
OVS-DPDK	Rakesh Bohra- Ericsson
Tungsten Fabric	Sukdev Kapur - Juniper
Edge Video Processing	Adnan Saleem- Radisys
Enterprise Edge Lightweight and IoT	Khemendra Kumar- Huawei
ELIOT SD-WAN/WAN Edge/uCPE	Khemendra Kumar- Huawei
IEC Type 1	Trevor Tao (ARM)
IEC Type 2	Xinhuli (VMWare)
Industrial Edge	Yolanda Robla – Red Hat
Provider Access Edge	Yolada Robla – Red Hat
Micro MEC	Tapio Tallgren- Nokia
Radio Edge Cloud	Paul Carver- AT&T
Starling X	Bill Zvonar- Wind River
Time Critical Edge	Shane Dewing- Intel
Connected Vehicle	Robert Qiu- Tencent

Feature Project	Winner of PTL Elected
Akraino Portal	Mike Hunter – AT&T
Cluster Health & Overload Monitoring Platform (CHOMP)	Mike Hunter – AT&T
Support of OVS-DPK in Airship	Georg Kunz – Ericsson
Blueprint Validation Framework	Tapio Tallgren - Nokia

PTL TSC Presentation Criteria
Is a validation lab in place?
Has a code repository been established?
Have regular meetings been scheduled?
Has a backlog been established?
Have any issues been identified that require support from the TSC?

- › <https://wiki.akraino.org/display/AK/Project+Status+in+Release+1>