

# Akraino ICN Blueprint

ICN Pod Topology

Kuralamudhan Ramakrishnan, ICN PTL

[kuralamudhan.ramakrishnan@intel.com](mailto:kuralamudhan.ramakrishnan@intel.com)

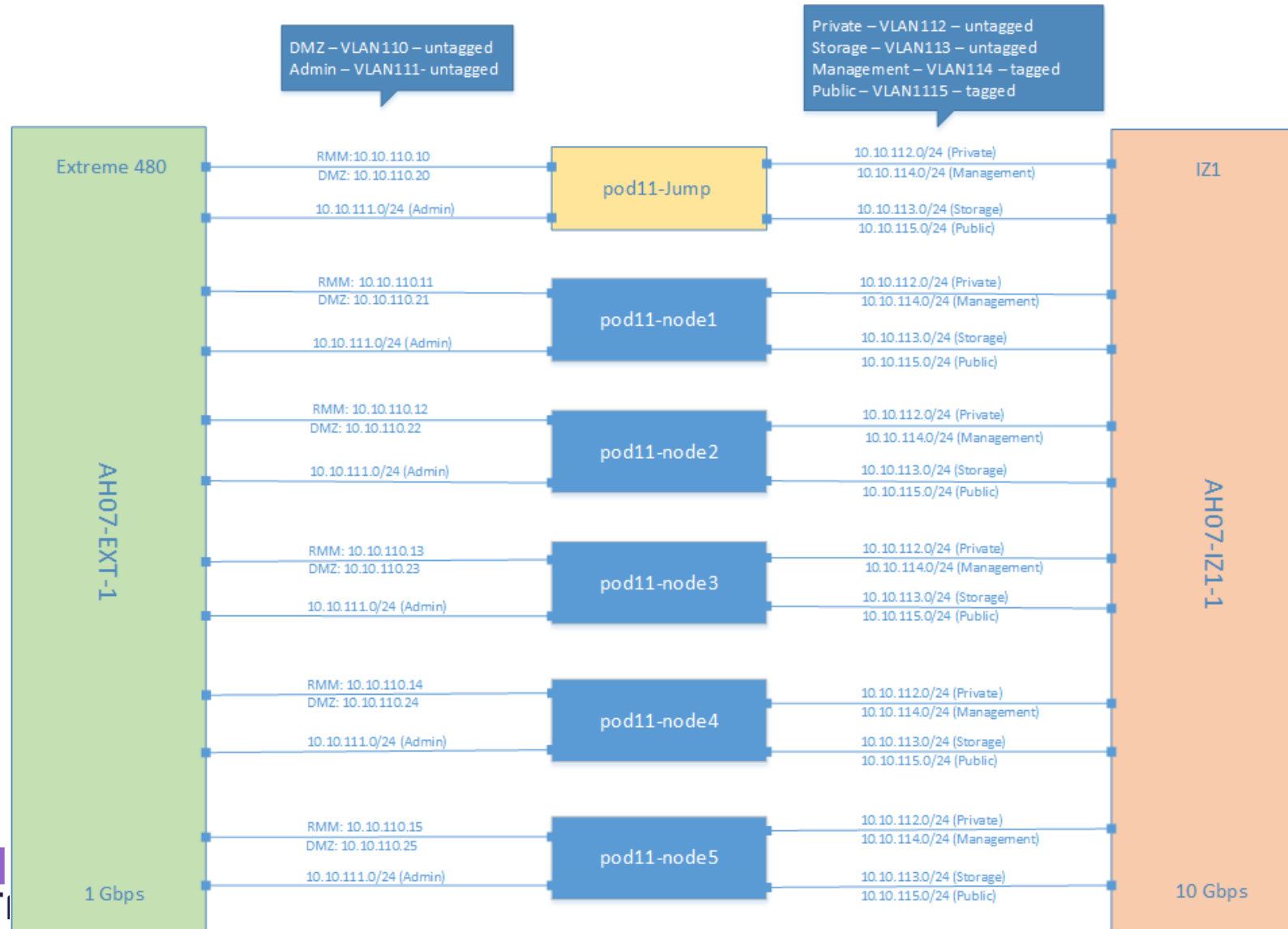
12/10/2020



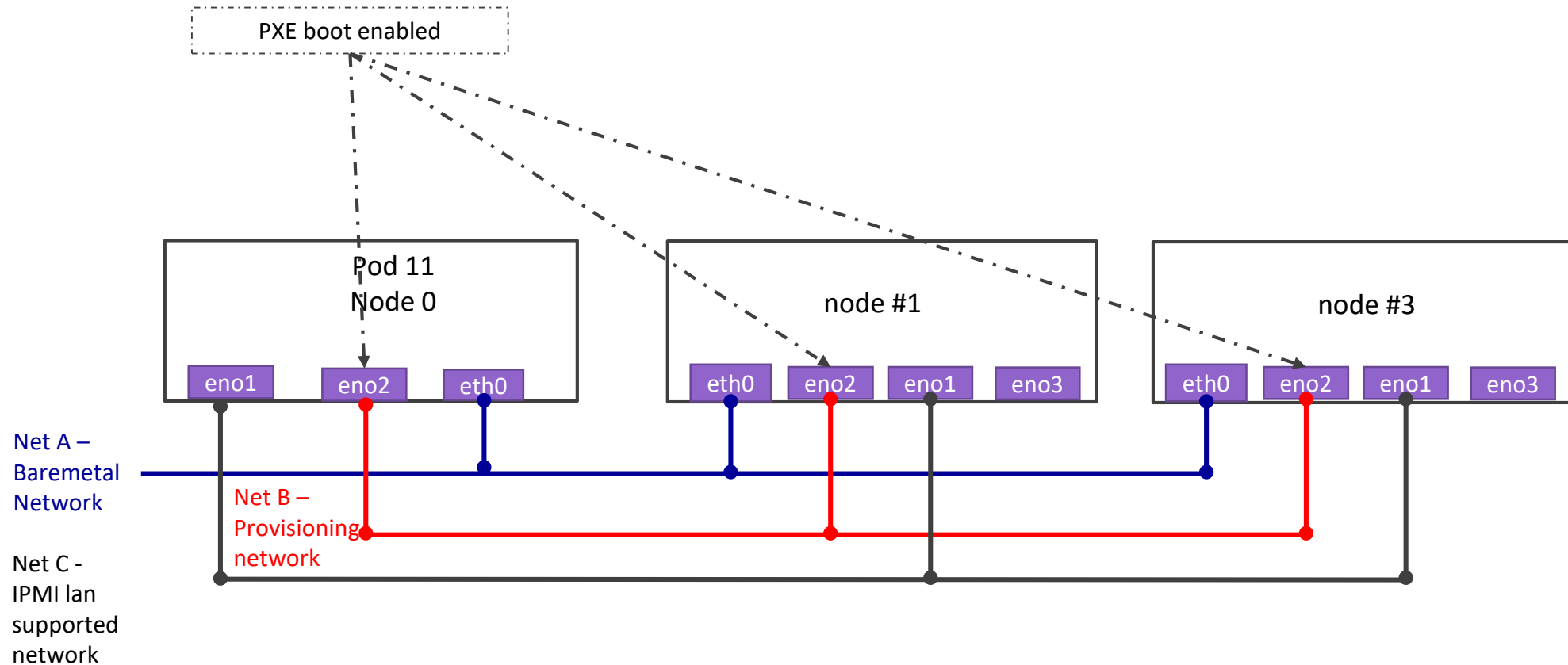
# Required information

- › Intel Pod from the OPNFV lab is used by Akraino Contributor for development, testing , CI and CD system
- › Only contributors have Intel Pod access for Akraino
- › For Pod access contact current Akraino ICN PTL

# Pod Topology



# CD Topology - ICN Master Bare Metal Deployment Verifier



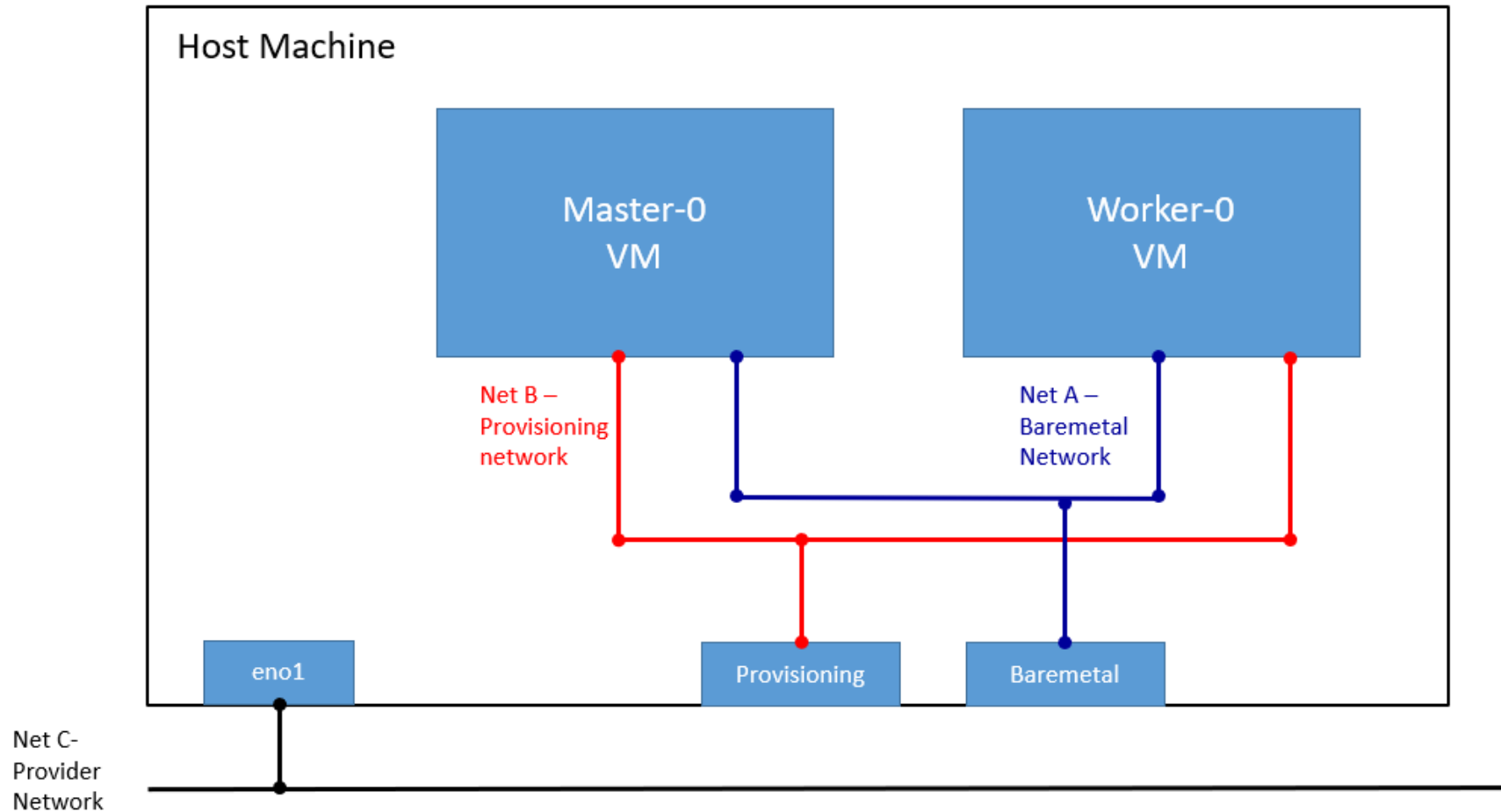
Net A – Baremetal Network, lab networking for SSH, It is used as the control plane for Kubernetes, used by OVN and Flannel for the overlay networking with Internet access

Net B(Internal networking) – Provisioning Networking used by Ironic to do inspection(Will be having DHCP server)

Net C(Internal networking) – IPMI lan to do IPMI protocols for the OS provisioning



# CD Topology - ICN Master Virtual Deployment Verifier



# CD Topology

- › [ICN master baremetal Deployment for hardware verification](#) shown as a separate CD Jenkins
- › [ICN master vm deployment verification](#) shown as a separate CD Jenkins
- › [ICN sdewan vm deployment verification](#) shown as a separate CD Jenkins to run the sdewan deployment in vm

# Contacts

[kuralamudhan.ramakrishnan@intel.com](mailto:kuralamudhan.ramakrishnan@intel.com)

