



# High Performance Robotics Edge Platform

Safe, private, cost-effective robot solution

---

Signallogic, Inc.  
Dallas, Texas

# Contents

- **Problems and needs**

- real-time voice commands: hands-free operation, safety / emergency concerns
- data privacy
- high performance onboard processing without costly cloud compute resources

- **Robotics edge platform**

- software - EdgeStream™ platform optimized for high performance edge computing / analytics
- hardware – extremely small form-factor, quad core server. Low SWaP <sup>1</sup>
- containerized solution

- **Akraino SESS Blueprint**

- Fujitsu + Ritsumeikan University
- food preparation and handling robotics



- **Architecture and data flow**

- core / thread data flow – ASR, vision, failure prediction

- **Signal processing**

- noise reduction, sound classification
- failure prediction

- **ASR <sup>2</sup>**

- urgent commands, factory hands-free environment
- 20K word vocabulary, high accuracy

- **Roomba lab demo**

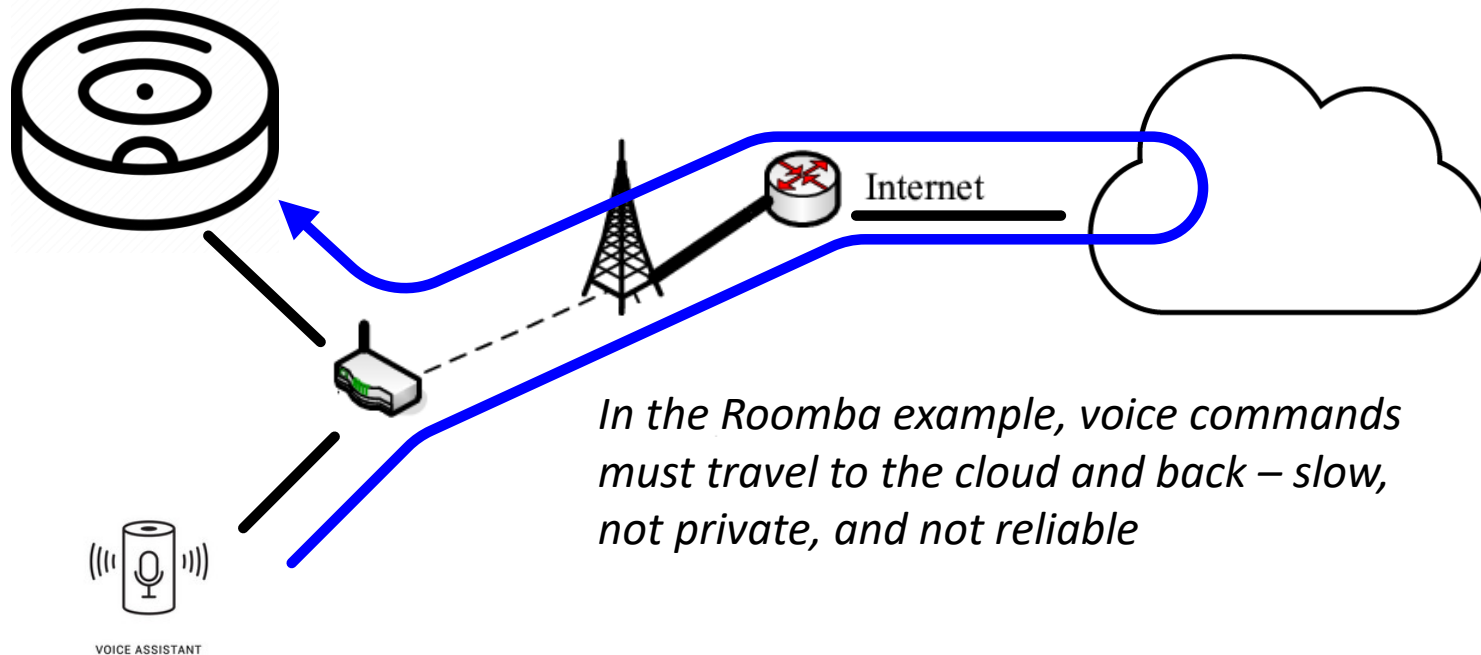
- robotics server and battery “dead bugged” on a Roomba
- voice commands processed and sent to Roomba APIs via USB; e.g. “watch out !”, “stop”, “turn left”, etc

<sup>1</sup> Size, weight, and power consumption

<sup>2</sup> Automatic speech recognition

# Cloud tradeoffs in High Performance Robotics

- **For high performance robotics the cloud ...**
  - lacks provide data privacy (e.g. background conversations, proprietary sounds)
  - cannot guarantee real-time response in human safety / emergency situations
  - is cost-prohibitive as number of robots increases
- **... but the cloud enables**
  - management and orchestration of containerized robotics solutions
  - app interfaces – robot status and monitoring, telemetry, event notification



# High Performance Robotics Needs

- **“Laws of robotics”**
  - respond to voice commands, especially urgent safety / emergency commands
  - avoid people, animals, property
  - do not break things and do not incur legal liability
  - operate with zero trust in cloud responses – ground situation takes precedence
- **Cannot be cost-prohibitive to scale**
  - as an example, AWS “Lightsail” compute instances cost \$80 per month
    - dedicated, always available, high performance quad x86 cores with SSE
    - 8 GB mem, 320 GB SSD
  - cost adds up for multiple robots
- **Maintain strict data privacy**
  - background sounds, conversation are considered strictly private
  - data may be sent to cloud for AI training, within carefully defined policies
- **Ultra low SWaP**
  - under 50 W power consumption with no fans
  - extremely small form-factor
  - must be physically lightweight, especially for mobile robots

- **EdgeStream™ software**
  - optimized for per core high performance, low energy usage
  - deployed with telecom, lawful interception, and gov/mil customers
  - using quad-core Atom, handles up to three (3) concurrent ASR streams, three (3) far-field microphones for one stream, other sensor types, or some combination
- **Input from USB or RTP packets**
  - input from one more sensors, microphones
  - input from RTP packet streams (IP/UDP, sensors or microphones with Ethernet interface)
  - wide range of codecs supported (AMR, EVS, G711, etc) if needed
- **Development environment**
  - Ubuntu 20.04, gcc/g++ 9.x
  - command line, WinSCP, gdebug ... standard Linux and WinX tools
- **Supports containerization and cloud orchestration**

# RobotHPC™ Edge Platform - Hardware

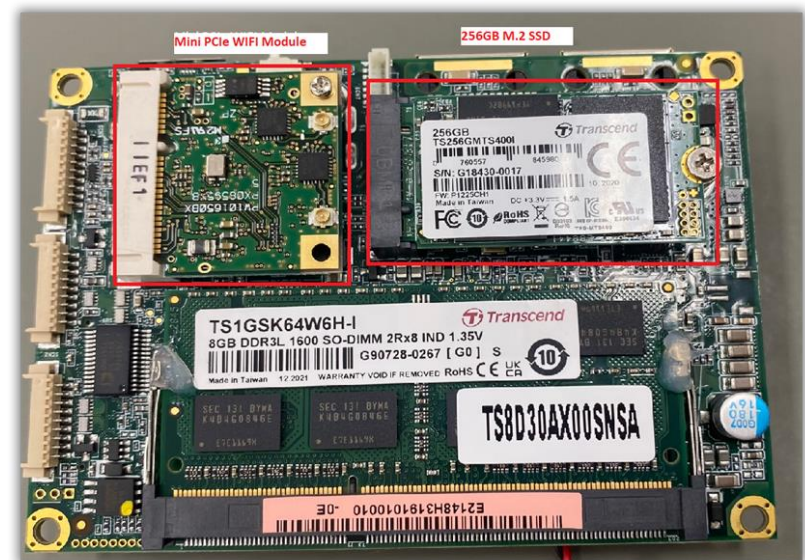


- **Ultra low SWaP server**

- *small* pico ITX form-factor, 3.5" x 3.5"
- *high performance* quad-core Atom (x5-E3940), 8 GB mem
- *low power* ~50 W, no fans
- *integrated* SSD, WiFi, HDMI, USB, etc.

- **Flexible, easy-to-use, standard**

- code developed on x86 lab / cloud servers, runs on robotics servers w/o changes. No IDEs, JTAG emulators, or special “translation tools” / “porting tools” for AI frameworks
- standard Linux (Ubuntu 20.04), gcc/g++, debug tools
- 100% compatible with mainstream open source edge computing and analytics
- 100% compatible with mainstream containerization and cloud orchestration

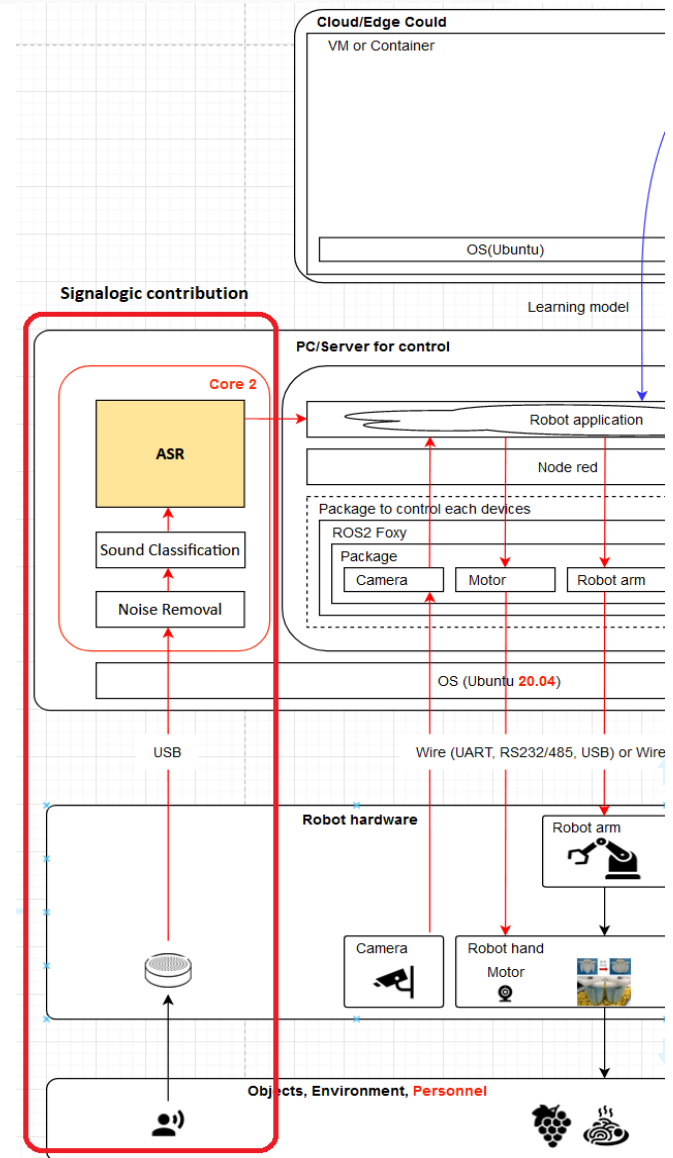


# SSES Akraino Blueprint



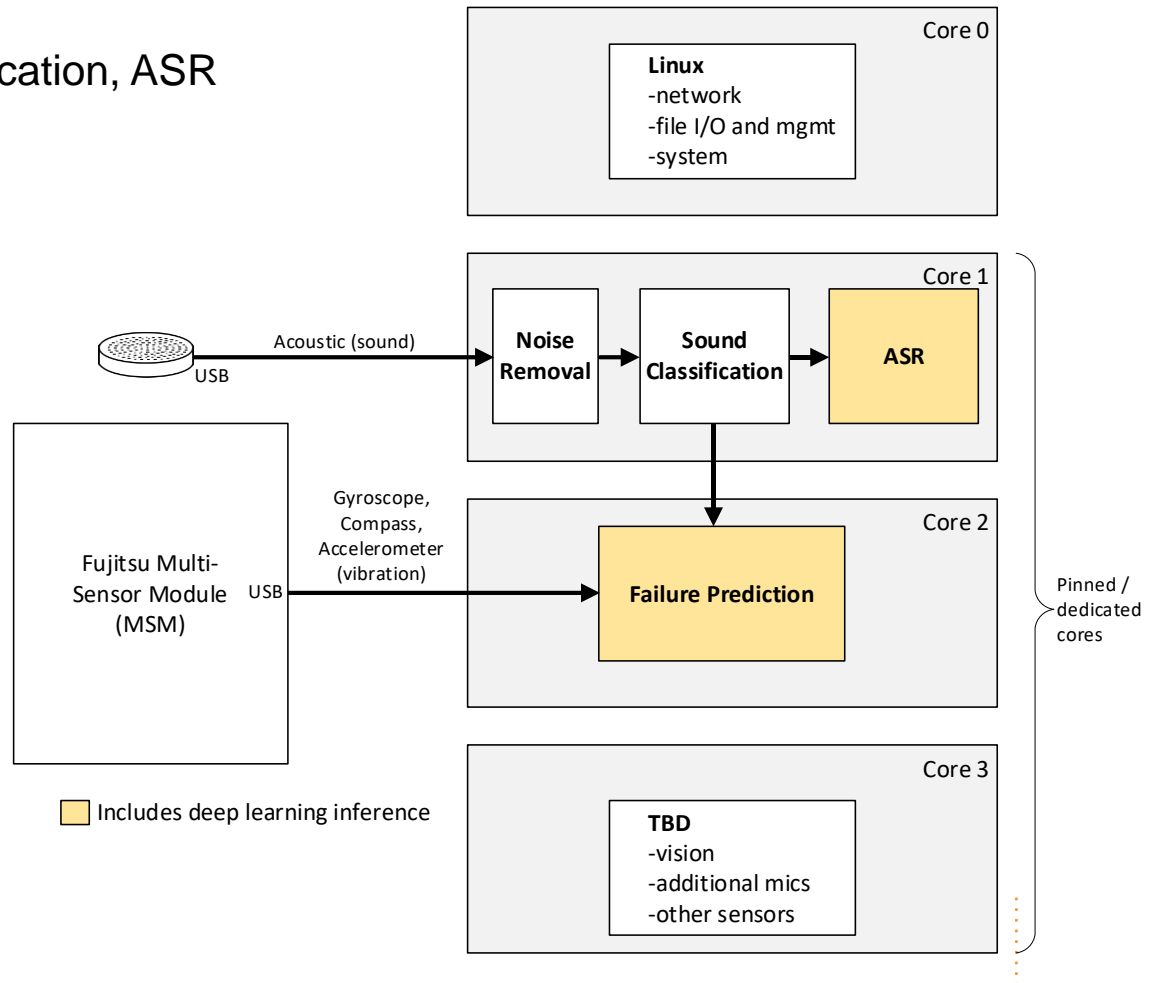
- **Fujitsu + Ritsumeikan University**
  - food preparation and handling for manufacturing and enterprise customers
  - hands-free operation – wet environment, workers wearing gloves
  - safety and emergency needs
  - robots include x86 based small servers
- **Signallogic contribution**
  - speech recognition – high performance, high vocabulary ASR
  - optimized solution, consumes one (1) x86 core from available pool of cores

SSES architecture diagram showing RobotHPC™ data flow



# Core / Thread Data Flow

- **Pinned x86 cores**
  - noise removal, sound classification, ASR
  - failure prediction
  - TBD, as needed
  - one core reserved for Linux
- **Each core runs end-to-end thread**
  - real-time
  - including input and output
- **EdgeStream™ software**
  - makes this type of real-time architecture possible – no thread slicing
  - no spinlocks
  - data passed between cores with lock-free buffers





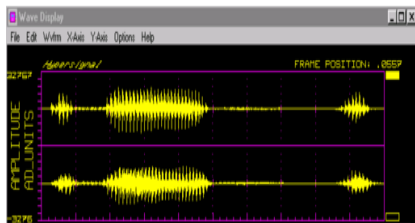
# ASR Data Flow

- **Wideband audio input**

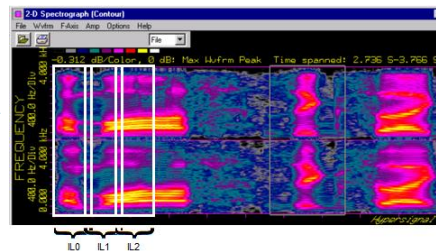
- 16 kHz sampling rate, 16-bit data
- input from one or more USB microphones, A/D converters, etc

- **Frequency domain “images”**

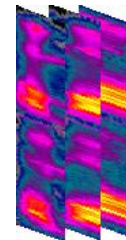
- formed by overlap FFT analysis of incoming time series data
- each FFT frame output is similar to cochlea in human ears
- groups of FFT frames form images
- successive images are called “TDNN” (time delayed DNN <sup>3</sup>), similar to series of CNN <sup>4</sup>
- xMM <sup>5</sup> applied to DNN outputs



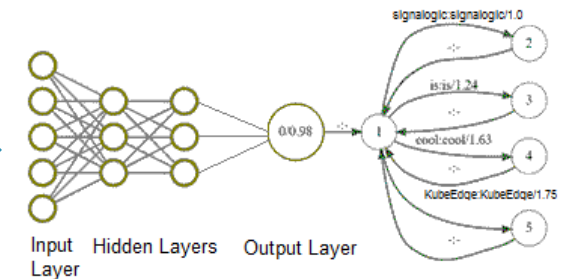
time series



2D spectrograph



sliding overlapped frames



DNN

xMM

<sup>3</sup> Deep neural network

<sup>4</sup> Convolutional neural network

<sup>5</sup> Hidden Markov model, Gaussian mixed model

- **Noise removal**

- spectral subtraction and other methods minimize environment background noise
- target robot noise, e.g. motors, wheels, brushes
- detect and minimize incidental background conversation

- **Sound classification**

- voice, sound, noise

- **Failure prediction**

- incorporate multiple sensors (vibration, acceleration, acoustic)
- apply deep learning methods
- recognize “sequences of sounds”, similar to language sentences

- **Capabilities**

- urgent / safety voice commands; e.g. “stop”, “watch out”
- operating commands ; e.g. “change mode”, “discard”
- large vocabulary, context-awareness provides error resistance, reducing false positives
- currently running in real-time on robotics edge platform in the lab (x5-E3940 Atom)

- **Deep learning architecture**

- combines xMM and DNN technology
- based on Kaldi open source, which is used by Alexa, Google Home, and Cortana

- **Processing intensive**

- real-time on one (1) x5-E3940 core, but not by a large margin (RTF <sup>6</sup> approx 2)

- **Fast development / debug / test**

- develop, debug, and test on any x86 (with SSE), run on the robotics platform. No conversion to “internal representation”, model translation tools, etc needed

<sup>6</sup> Real-time factor

# Roomba Demo Objectives

- **Edge computing high performance**
  - real-time
  - respond to voice commands, especially urgent commands
  - vision - avoid people, pets, property. Don't break things
- **Cloud independence**
  - operate with zero trust in cloud commands – on-the-ground situation takes precedence
  - factory background conversation, sounds are strictly private
  - cloud data storage, training only under well-defined, controlled conditions
- **Extremely low SWaP**
  - operate with ~50 W power consumption, no fans
  - ultra small form-factor
  - physically lightweight, especially suitable for mobile robots



“Not now roomba”

# Roomba Lab Demo

- **Robotics edge platform**

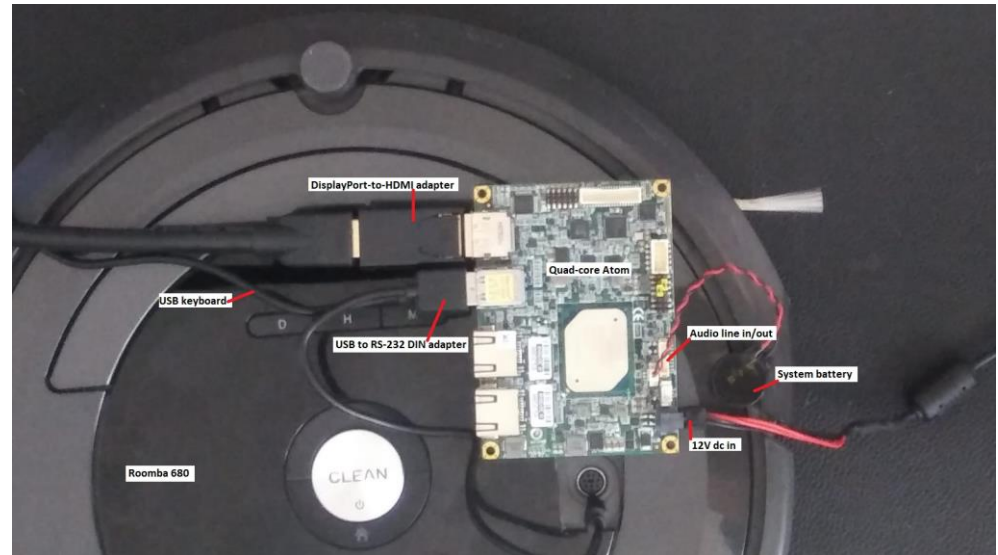
- “dead bugged” onto Roomba 680
- quad-core Atom server, no fans
- 12V dc (battery or AC adapter)
- USB interface to Roomba RS-232
- line-in or USB microphone

- **Lab interface**

- standard server tools used for development, test, and debug – WinSCP, cmd line, gdebug, etc.
- for hands-on lab work, HDMI monitor, keyboard available

- **Roomba real-time voice control**

- real-time ASR, 20k word vocabulary
- translate recognized ASR text to Roomba command APIs



**Roomba lab demo**

# Github and Docker Hub



- **Akraïno**

- SSES Blueprint wiki page:  
<https://wiki.akraïno.org/display/AK/CPS+Robot+Blueprint+family>

- **Github**

- SigSRF software page: [https://github.com/signallogic/SigSRF\\_SDK](https://github.com/signallogic/SigSRF_SDK)
- example command lines for reference apps and demos
- documentation

- **Docker Hub**

- ready-to-run Ubuntu and CentOS containers <https://hub.docker.com/u/signallogic>

- **Demos and reference apps**

- ready-to-run containers on Docker Hub, installation Rar packages on Github
- help with installing and running demos available over Skype (no charge)

- **Source code**

- developed entirely in US
- no dependencies on 3<sup>rd</sup> party libraries

# Thanks !

- Q&A
- Follow-up questions / comments: [info@signallogic.com](mailto:info@signallogic.com)
- Web page: <https://signallogic.com/edgestream>

# Supplemental

- **Following slides are background info ...**



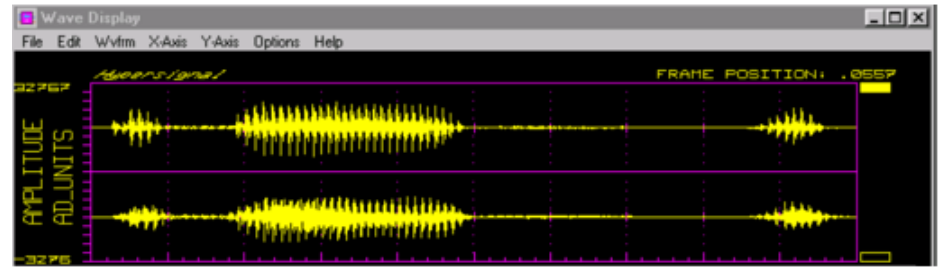
# ASR Basics

- **Deep Learning Architecture**

- combines previous generation xMM<sup>1</sup> technology with DNNs (Deep Neural Networks)
- relies on extensive training and “augmentation” methods
- Kaldi open source is basis for Alexa, Google Home, and Cortana

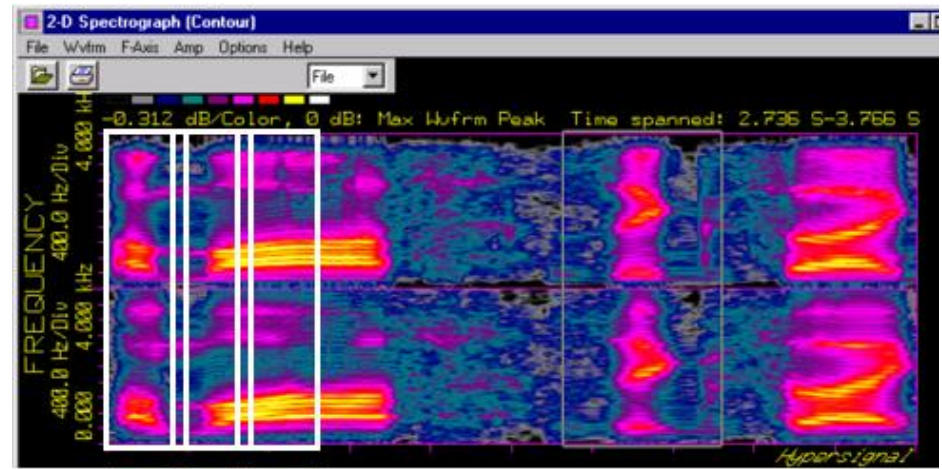
- **Frequency domain “images”**

- formed by sliding FFT analysis of incoming time series data. Each FFT frame output is similar to cochlea in human ears
- groups of FFT frames form images
- successive images are called “TDNN” (time delayed DNN), similar to series of CNNs<sup>2</sup>



Sliding FFT

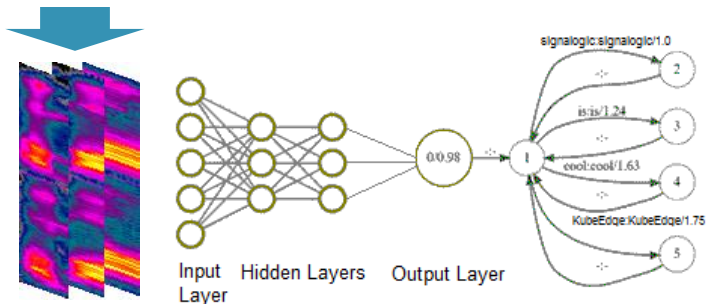
time domain (time series)



frequency domain

IL0 IL1 IL2

DNN Input Layers (ILn)



<sup>1</sup> Hidden Markov Model, Gaussian Mixed Model, <sup>2</sup> Convolutional Neural Network

# EdgeStream Data Flow

## • Per core data flow

- one thread per core
- no spinlocks
- precise control over power consumption

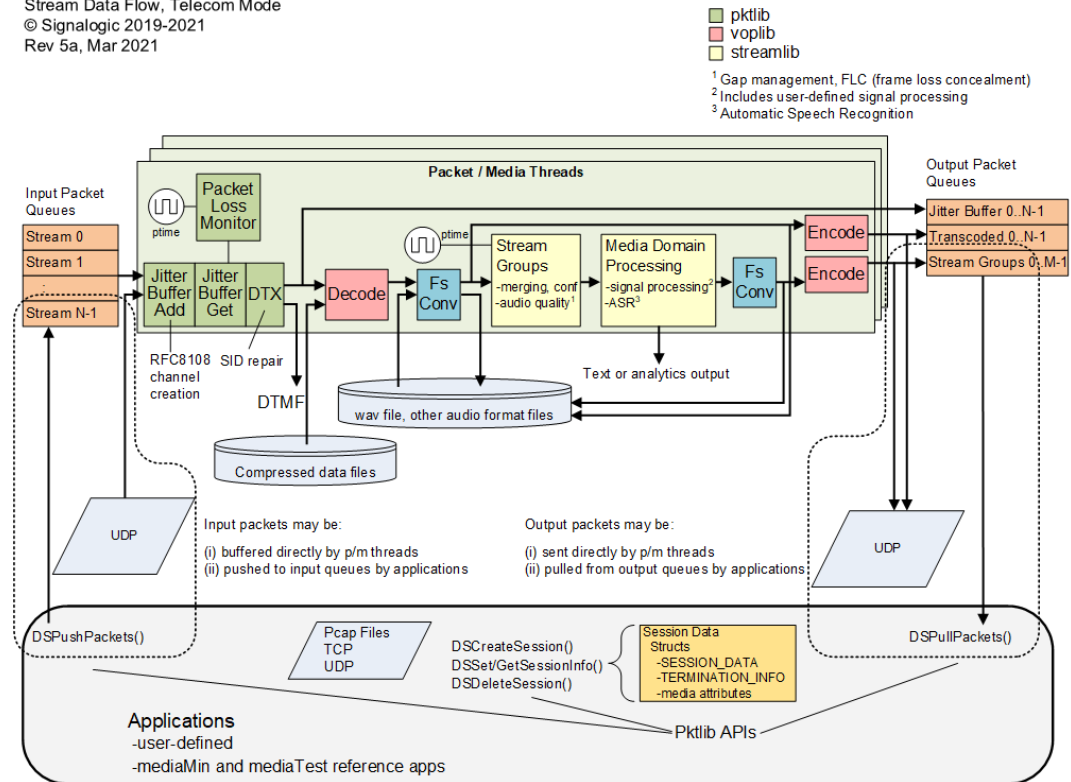
## • Real-time workflow

- packet handling
- media codecs
- signal processing
- user-defined processing
- inference

## • Hardware acceleration

- DirectCore® option
- x86 and Arm options supported

Stream Data Flow, Telecom Mode  
© Signallogic 2019-2021  
Rev 5a, Mar 2021



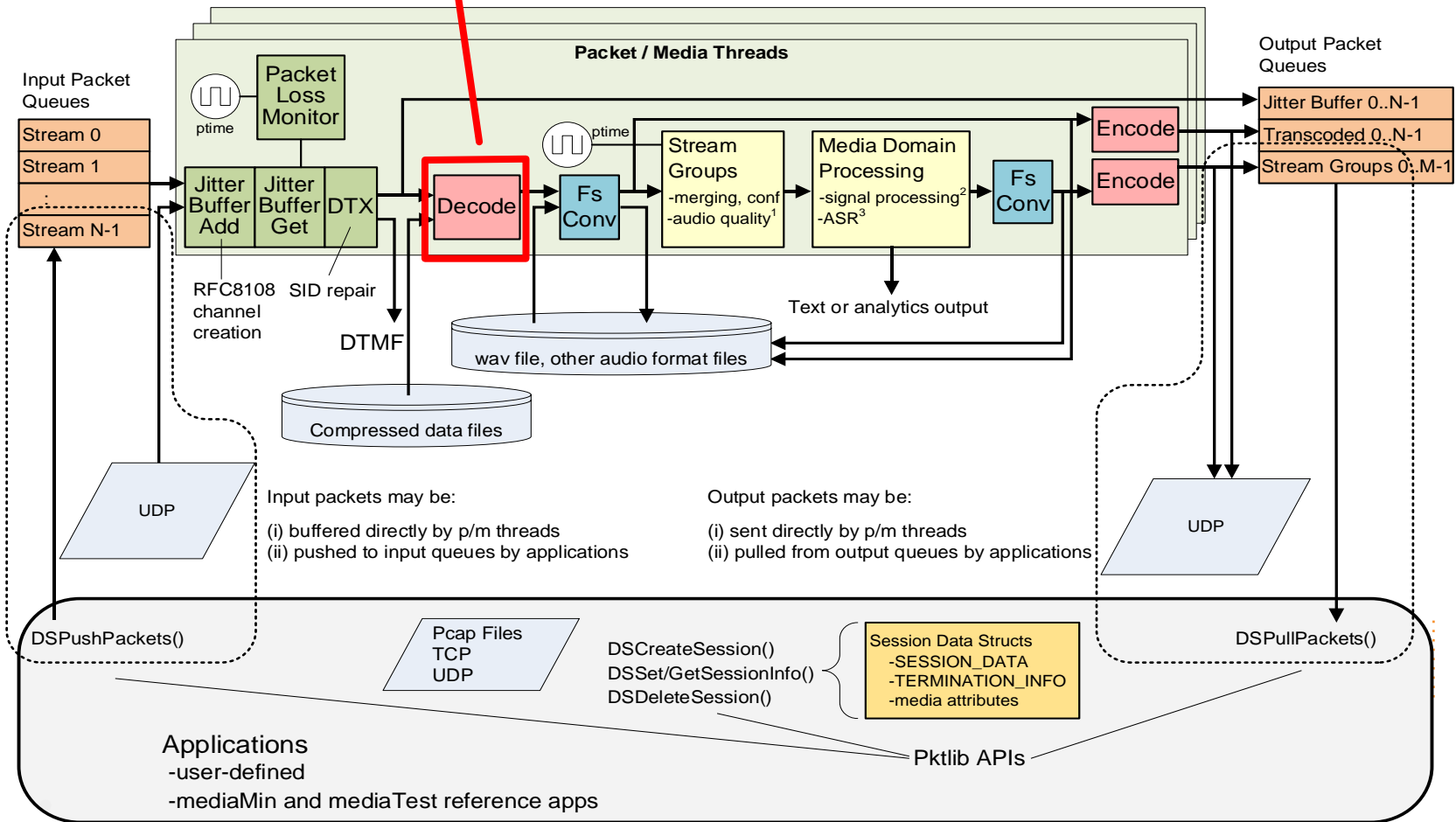
# Overview – Per Thread Data Flow

Stream Data Flow, Telecom Mode  
 © Signallogic 2019-2021  
 Rev 5a, Mar 2021

- pktlib
- voplib
- streamlib

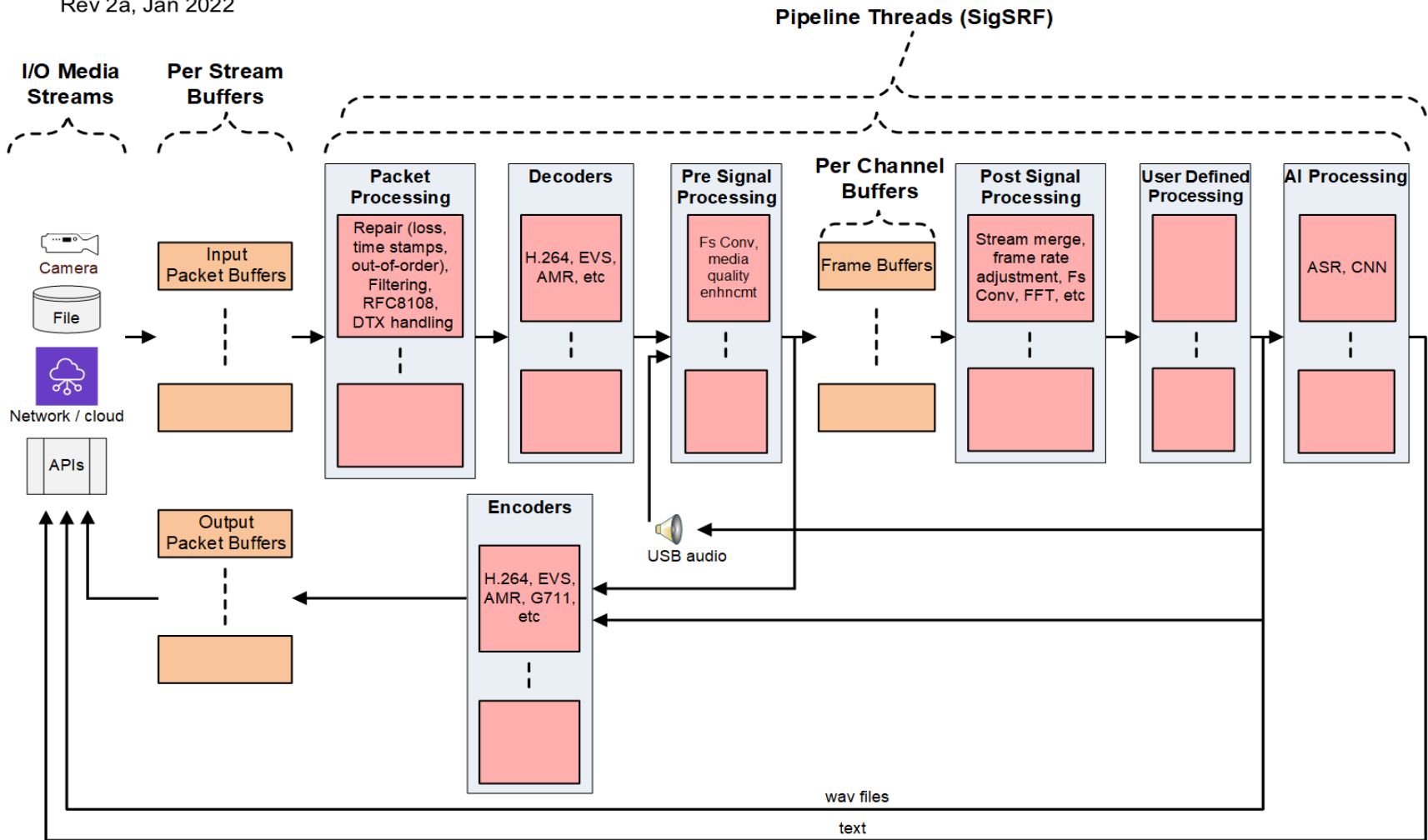
- <sup>1</sup> Gap management, FLC (frame loss concealment)
- <sup>2</sup> Includes user-defined signal processing
- <sup>3</sup> Automatic Speech Recognition

## Codecs



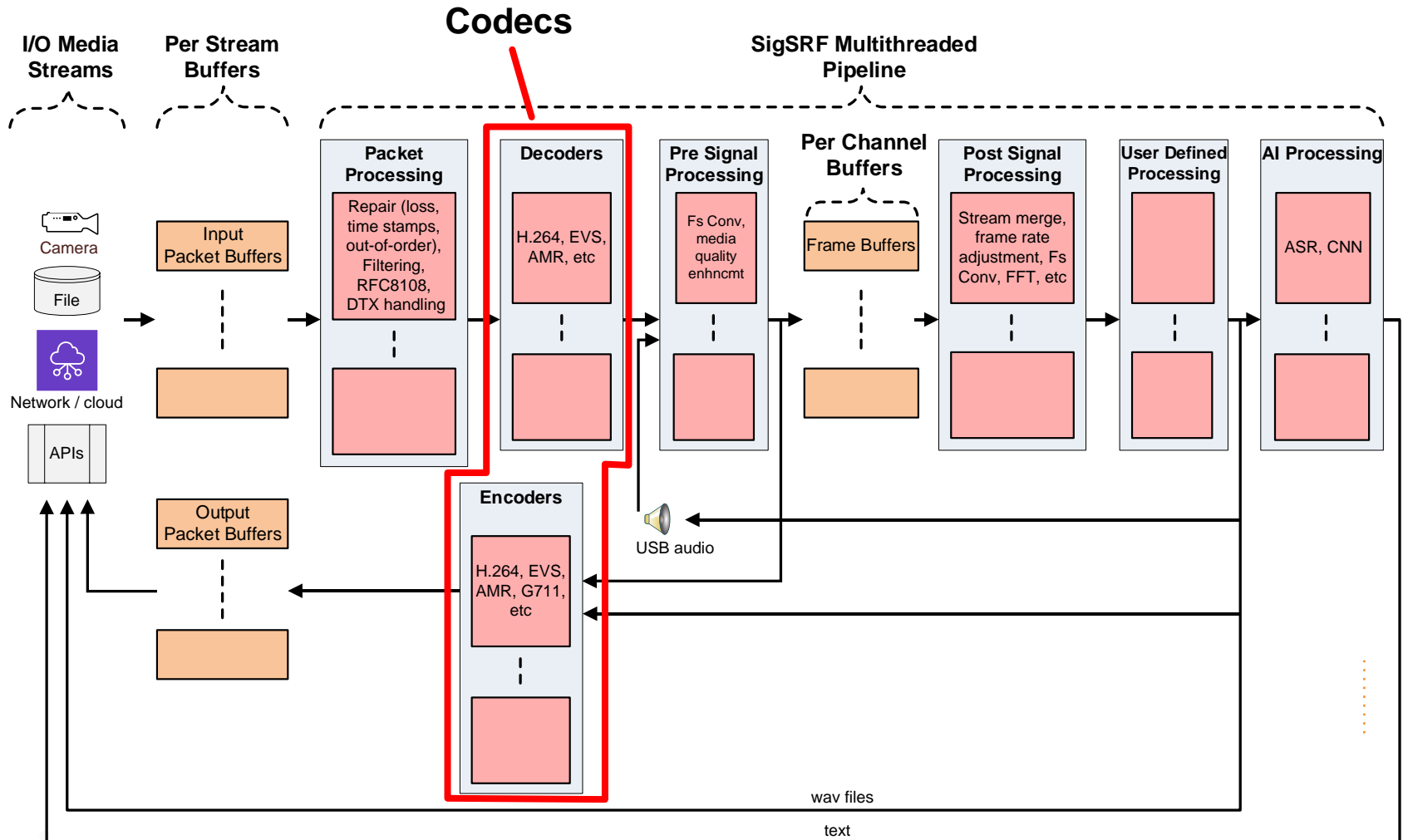
# EdgeStream Workflow

EdgeStream™ Workflow  
© Signalogic 2021-2022  
Rev 2a, Jan 2022



# Overview – Pipeline Flow

EdgeStream™ Workflow  
© Signallogic 2021  
Rev 1a, Dec 2021



# Comparison with DeepStream

- **Packet Processing**

- EdgeStream provides telecom grade packet processing, including...
- loss repair
- 500+ out-of-order handling
- support for encapsulated protocols
- multiple RFCs
- logging

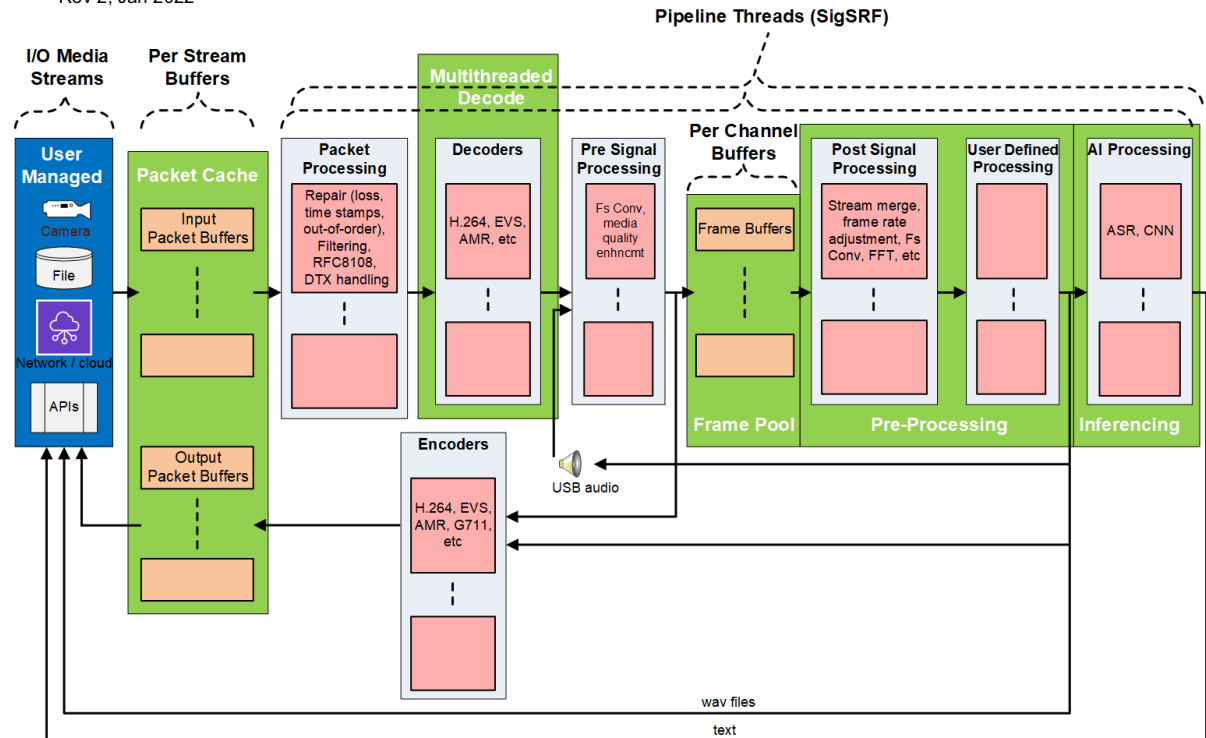
- **Media**

- includes encoders in addition to decoders

- **Signal processing**

- more user-defined insertion points

EdgeStream™ DeepStream Functional Mapping  
© Signallogic 2021-2022  
Rev 2, Jan 2022

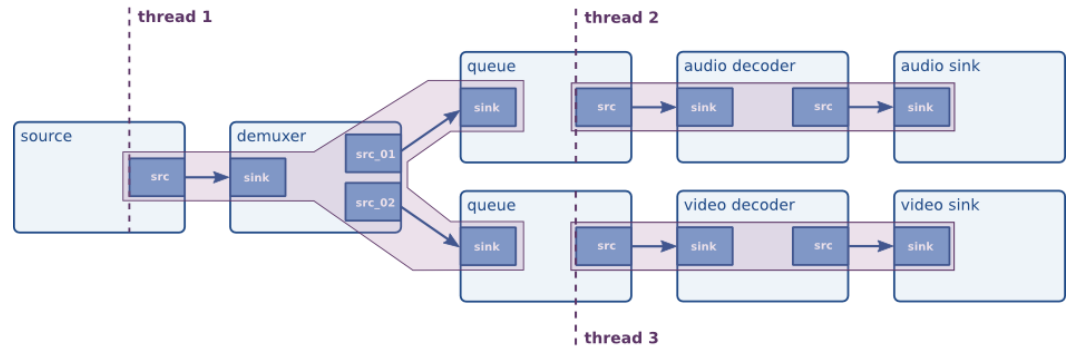


# Comparison with GStreamer

## • Thread architecture

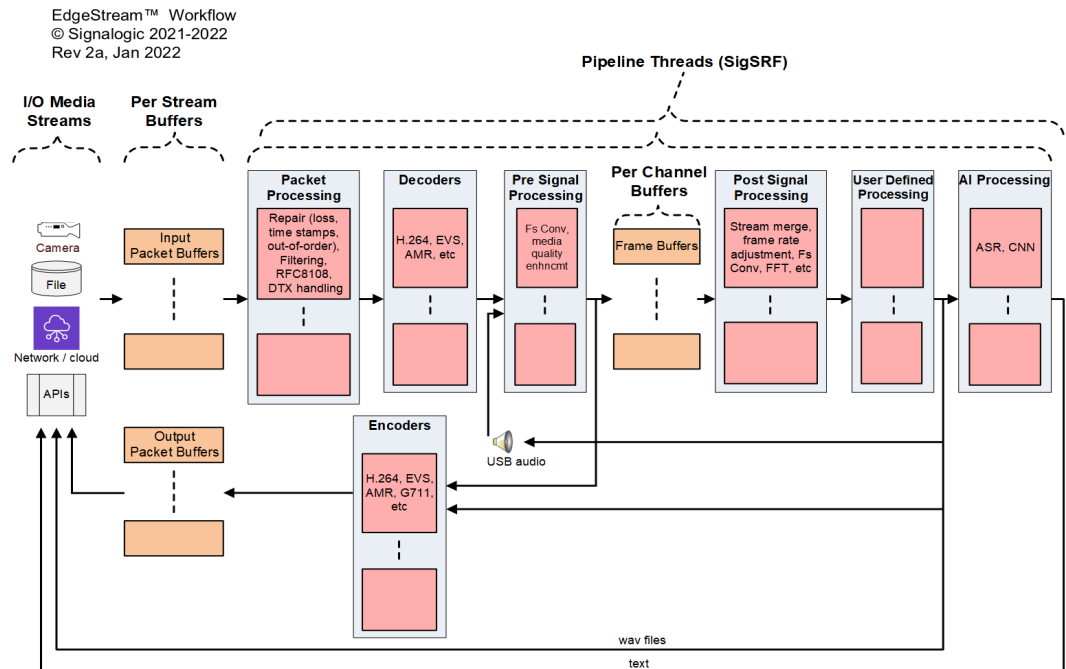
- EdgeStream allocates one workflow thread per core (“unified thread”)
- GStreamer uses a thread slicing architecture – flexible but requires spinlocks

Example GStreamer Workflow



## • Packet Processing

- EdgeStream provides telecom grade packet processing, including ...
- loss repair
- 500+ out-of-order handling
- supports encapsulated protocols
- multiple RFCs
- logging



# EdgeStream Deployments

- **Asia**

- Japan
- India (ISRO)
- Australia
- New Zealand (OpenLI <sup>1</sup> support)

- **Europe**

- Germany
- Italy
- Czech Republic

- **North America**

- AFRL
- Raytheon
- Boeing

<sup>1</sup> OpenLI is “Open Lawful Intercept” for CSPs. More info at <https://openli.nz/>



# Software Overview

## • SigSRF libraries

### – codecs

- VoLTE (EVS, AMR-NB, AMR-WB)
- legacy (G729, EVRC, GSM, etc)
- mil/gov (MELPe)

### – packet processing

- media/SID packet repair (out-of-order, packet loss, RTP timestamps)
- timing reconstruction of missing/damaged arrival timestamps
- child streams (RFC8108)

### – frame processing

- “stream groups” can be defined for related streams
- per-stream correction for overrun, underrun, gaps, bursts
- accurate time-aligned merging / mixing of multiple endpoints
- high capacity – multiple concurrent streams

## • EdgeStream™ applications

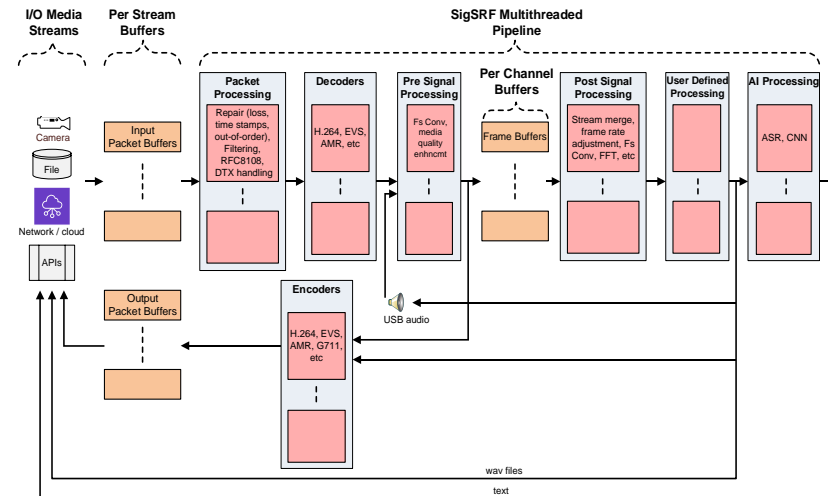
– reference apps for customer-defined development

– also used as-is by many of our customers. Most common: telecom, LI, and ASR.

### – key features

- dynamic session creation
- packet push/pull API interface with SigSRF libs
- multiple streams from multiple sources
- flexible command line – similar to ffmpeg or sox

EdgeStream™ Workflow  
© Signallogic 2021  
Rev 1a, Dec 2021



# Functionality – Packet Processing



- **Media quality – packet level**

- media/SID packet repair
  - out-of-order (ooo)
  - packet loss
  - RTP timestamps
- child streams (RFC8108)
- timing reconstruction for missing/damaged packet arrival timestamps

- **Huge levels of ooo handled**

- to support TCP encapsulated UDP/RTP, for example lawful interception apps implementing ETSI protocols

- **Packet logging / tracing**

- per stream packet logging
- timestamp reconciliation
- individual packet tracing

Ingress Packet info for SSRC = 0xbad52e64, first seq num = 3, last seq num = 651 ...

Seq num 4	ooo 3	timestamp = 1280, pkt len = 6	SID
Seq num 3	ooo 4	timestamp = 960, pkt len = 61	
Seq num 5		timestamp = 3840, pkt len = 6	SID
Seq num 6		timestamp = 6400, pkt len = 6	SID
Seq num 7		timestamp = 8960, pkt len = 6	SID
Seq num 8		timestamp = 11520, pkt len = 6	SID
Seq num 9		timestamp = 14080, pkt len = 6	SID
Seq num 10		timestamp = 16640, pkt len = 6	SID
Seq num 12	ooo 11	timestamp = 18560, pkt len = 61	
Seq num 15	ooo 12	timestamp = 19520, pkt len = 61	
Seq num 11	ooo 13	timestamp = 18240, pkt len = 61	
Seq num 13	ooo 14	timestamp = 18880, pkt len = 61	
Seq num 14	ooo 15	timestamp = 19200, pkt len = 61	
Seq num 18	ooo 16	timestamp = 20480, pkt len = 61	
Seq num 19	ooo 17	timestamp = 20800, pkt len = 61	
Seq num 16	ooo 18	timestamp = 19840, pkt len = 61	
Seq num 21	ooo 19	timestamp = 21440, pkt len = 6	SID
Seq num 23	ooo 20	timestamp = 23680, pkt len = 61	
Seq num 24	ooo 21	timestamp = 24000, pkt len = 61	
Seq num 25	ooo 22	timestamp = 24320, pkt len = 61	
Seq num 27	ooo 23	timestamp = 24960, pkt len = 61	
Seq num 28	ooo 24	timestamp = 25280, pkt len = 61	
Seq num 31	ooo 25	timestamp = 26240, pkt len = 61	
Seq num 32	ooo 26	timestamp = 26560, pkt len = 61	
Seq num 34	ooo 27	timestamp = 27200, pkt len = 61	
Seq num 17	ooo 28	timestamp = 20160, pkt len = 61	
Seq num 20	ooo 29	timestamp = 21120, pkt len = 61	
Seq num 22	ooo 30	timestamp = 23360, pkt len = 61	
Seq num 26	ooo 31	timestamp = 24640, pkt len = 61	
Seq num 29	ooo 32	timestamp = 25600, pkt len = 61	
Seq num 30	ooo 33	timestamp = 25920, pkt len = 61	
Seq num 33	ooo 34	timestamp = 26880, pkt len = 61	
Seq num 35		timestamp = 27520, pkt len = 61	
Seq num 37	ooo 36	timestamp = 28160, pkt len = 61	
Seq num 38	ooo 37	timestamp = 28480, pkt len = 61	
Seq num 40	ooo 38	timestamp = 29120, pkt len = 61	
Seq num 42	ooo 39	timestamp = 29760, pkt len = 61	
Seq num 44	ooo 40	timestamp = 30400, pkt len = 61	
Seq num 46	ooo 41	timestamp = 31040, pkt len = 61	
Seq num 36	ooo 42	timestamp = 27840, pkt len = 61	
Seq num 48	ooo 43	timestamp = 31680, pkt len = 61	
Seq num 39	ooo 44	timestamp = 28800, pkt len = 61	
Seq num 41	ooo 45	timestamp = 29440, pkt len = 61	
Seq num 50	ooo 46	timestamp = 32320, pkt len = 61	
Seq num 53	ooo 47	timestamp = 33280, pkt len = 61	
Seq num 55	ooo 48	timestamp = 33920, pkt len = 61	
Seq num 43	ooo 49	timestamp = 30080, pkt len = 61	
Seq num 57	ooo 50	timestamp = 34560, pkt len = 61	

⋮

# Packet Log Excerpt

Ingress Packet info for SSRC = 0xbad52e64, first seq num = 3, last seq num = 651 ...

```
Seq num 4 ooo 3      timestamp = 1280, pkt len = 6 SID
Seq num 3 ooo 4      timestamp = 960,  pkt len = 61
Seq num 5            timestamp = 3840, pkt len = 6 SID
Seq num 6            timestamp = 6400, pkt len = 6 SID
Seq num 7            timestamp = 8960, pkt len = 6 SID
Seq num 8            timestamp = 11520, pkt len = 6 SID
Seq num 9            timestamp = 14080, pkt len = 6 SID
Seq num 10           timestamp = 16640, pkt len = 6 SID
Seq num 12 ooo 11    timestamp = 18560, pkt len = 61
Seq num 15 ooo 12    timestamp = 19520, pkt len = 61
Seq num 11 ooo 13    timestamp = 20240, pkt len = 61
Seq num 13 ooo 14    timestamp = 18880, pkt len = 61
Seq num 14 ooo 15    timestamp = 19200, pkt len = 61
Seq num 18 ooo 16    timestamp = 20480, pkt len = 61
Seq num 19 ooo 17    timestamp = 20800, pkt len = 61
Seq num 16 ooo 18    timestamp = 19840, pkt len = 61
Seq num 21 ooo 19    timestamp = 21440, pkt len = 6 SID
Seq num 23 ooo 20    timestamp = 23680, pkt len = 61
Seq num 24 ooo 21    timestamp = 24000, pkt len = 61
Seq num 25 ooo 22    timestamp = 24320, pkt len = 61
Seq num 27 ooo 23    timestamp = 24960, pkt len = 61
Seq num 28 ooo 24    timestamp = 25280, pkt len = 61
Seq num 31 ooo 25    timestamp = 26240, pkt len = 61
Seq num 32 ooo 26    timestamp = 26560, pkt len = 61
Seq num 34 ooo 27    timestamp = 27200, pkt len = 61
Seq num 17 ooo 28    timestamp = 20160, pkt len = 61
Seq num 20 ooo 29    timestamp = 21120, pkt len = 61
Seq num 22 ooo 30    timestamp = 23360, pkt len = 61
Seq num 26 ooo 31    timestamp = 24640, pkt len = 61
Seq num 29 ooo 32    timestamp = 25600, pkt len = 61
Seq num 30 ooo 33    timestamp = 25920, pkt len = 61
Seq num 33 ooo 34    timestamp = 26880, pkt len = 61
Seq num 35           timestamp = 27520, pkt len = 61
Seq num 37 ooo 36    timestamp = 28160, pkt len = 61
Seq num 38 ooo 37    timestamp = 28480, pkt len = 61
Seq num 40 ooo 38    timestamp = 29120, pkt len = 61
Seq num 42 ooo 39    timestamp = 29760, pkt len = 61
Seq num 44 ooo 40    timestamp = 30400, pkt len = 61
Seq num 46 ooo 41    timestamp = 31040, pkt len = 61
Seq num 36 ooo 42    timestamp = 27840, pkt len = 61
Seq num 48 ooo 43    timestamp = 31680, pkt len = 61
Seq num 39 ooo 44    timestamp = 28800, pkt len = 61
Seq num 41 ooo 45    timestamp = 29440, pkt len = 61
Seq num 50 ooo 46    timestamp = 32320, pkt len = 61
Seq num 53 ooo 47    timestamp = 33280, pkt len = 61
Seq num 55 ooo 48    timestamp = 33920, pkt len = 61
Seq num 43 ooo 49    timestamp = 30080, pkt len = 61
Seq num 57 ooo 50    timestamp = 34560, pkt len = 61
```

High amount of ooo (out-of-order) example

# Functionality – Frame Processing

- **Decoded packet audio data**

- buffered as frames (see Overview diagrams)

- signal processing

- **Media quality – frame level**

- “stream groups” can be defined for streams related in some way

- per-stream correction for overrun, underrun, gaps, bursts

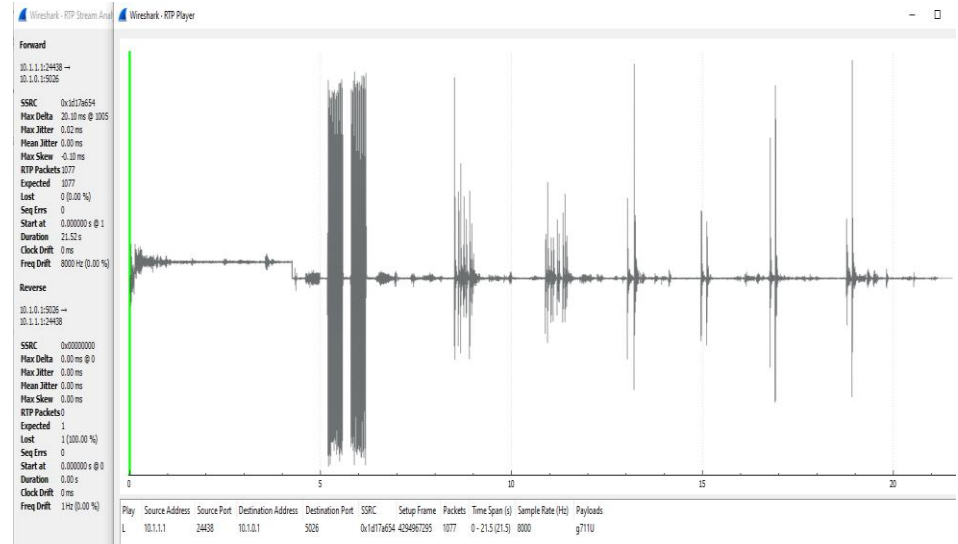
- accurate time-aligned merging / mixing of multiple endpoints

- **Real-time output streaming**

- some applications require real-time output, either per-stream or merged between related streams, typically in G711 format

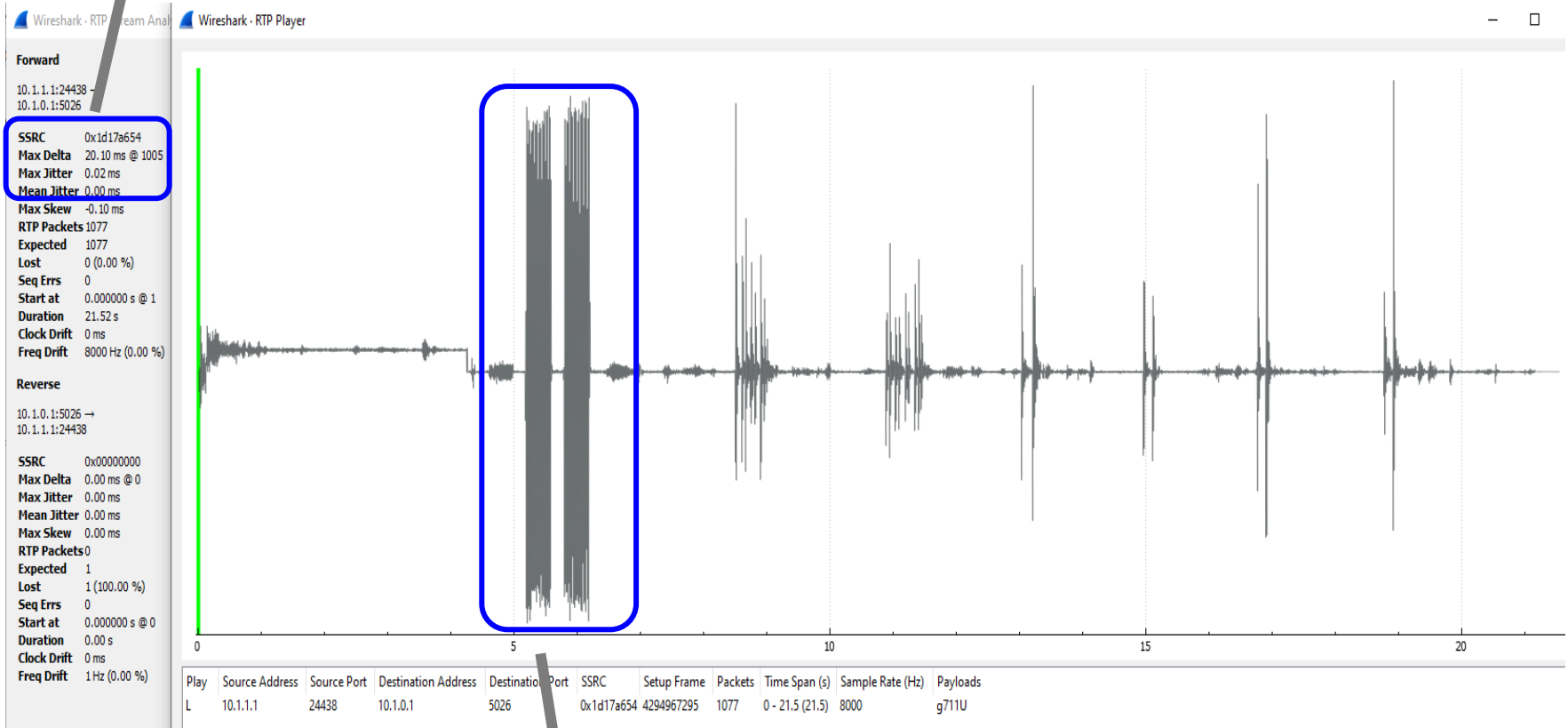
- high intelligibility required – all streams fully merged (non-overlapped) and non-duplicated *as if all endpoints are in the same room*

- **High capacity – multiple concurrent streams**



# Real-Time Streaming Output Example

Reliable packet delta, no jitter over 1000s of hours of streaming



Child streams example - early media (ring tones)

- **Dynamic and static session creation**
  - sessions created and codecs detected on-the-fly using (i) RTP only (ii) SIP invite packets (iii) .sdp files, or pre-set using static session config files
  - RTP only uses heuristic codec type detection
- **Packet push/pull interface to SigSRF libs**
  - reference application examples
  - Packet pull includes transcoded output, real-time streaming output
- **Event logging**
  - critical, major, minor, info, debug levels
  - includes alerts for thread pre-emption, queue starvation, and other performance / data related conditions
  - per-stream stats (i) on-demand, (ii) when streams close
- **Arrival timestamp reconstruction**
  - if needed due to missing / damaged arrival timestamps
  - algorithms based on queue balancing, decoded frame rate estimation

# Event Log Example

```
00:00:00.000.011 INFO: DSConfigPktlib() uflags = 0x7
  P/M thread capacity max sessions = 51, max groups = 17
  Event log path = openli-voip-example_event_log_am.txt, uLogLevel = 8, uEventLogMode = 0x32, flush size = 1024, max size not set
  Debug uDebugMode = 0x0, uPktStatsLogging = 0xd, uEnableDataObjectStats = 0x1
  Screen output uPrintfLevel = 5, uPrintfControl = 0
  Energy saver p/m thread energy saver inactivity time = 30000 msec, sleep time = 1000 usec
  Alarms DSPushPackets packet cutoff alarm elapsed time not set, p/m thread preemption alarm elapsed time = 40 (msec)
00:00:00.000.721 INFO: DSConfigVoplib() voplib and codecs initialized, flags = 0x1d
00:00:00.000.749 INFO: DSConfigStreamlib() stream groups initialized
00:00:00.000.834 INFO: DSAssignPlatform() system CPU architecture supports rdtscp instruction, TSC integrity monitoring enabled
00:00:00.000.953 INFO: DSOpenPcap() opened pcap input file: ../pcaps/openli-voip-example.pcap
00:00:00.008.396 INFO: DSConfigMediaService() says setpriority() set Niceness to -15 for pkt/media thread 0
00:00:00.008.418 INFO: initializing packet/media thread 0, uFlags = 0x1180101, threadid = 0x7f320f34a700, total num pkt/med threads = 1
00:00:00.058.474 mediaMin INFO: SIP invite found, dst port = 43333, pyld len = 1994, len = 717, rem = 1979, start = 8, index = 0
o=02825591554 0 0 IN IP4 192.168.1.73
c=IN IP4 192.168.1.73
m=audio 5000 RTP/AVP 9 0 8 101
a=rtpmap:9 G722/8000
a=rtpmap:0 PCMU/8000
a=rtpmap:8 PCMA/8000
a=rtpmap:101 telephone-event/8000
a=extmap:1 urn:ietf:params:rtp-hdrex:csrc-audio-level
a=zrtp-hash:1.10 1c812535e276bf518418c4146a20fd56e715704da9c591ae32d58ee6fed6d40f
m=video 5002 RTP/AVP 96 99
a=recvonly
a=rtpmap:96 H264/90000
a=fmtp:96 profile-level-id=4DE01f;packetization-mode=1
a=imageattr:96 send * recv [x=[0-1920],y=[0-1080]]
a=rtpmap:99 H264/90000
a=fmtp:99 profile-level-id=4DE01f
a=imageattr:99 send * recv [x=[0-1920],y=[0-1080]]
a=zrtp-hash:1.10 c1a98e15f12937b9cad2488c6091468f7610efeeefa59863c77d827669b913f38
00:00:00.058.644 INFO: DSFindDerStream() found HI interception point ID 10g-dev1, tag = 0x86, len = 8, dest port = 43332, pvld len = 1448, pvld ofs = 52
00:00:00.058.727 mediaMin INFO: Creating dynamic session 1, input #1, SDP specified codec type G711a, auto-detected bitrate 64000, stream group openli-voip-example. Creation packet info: IP ver 4, ssrc = 0x14a50012, seq num = 32584, payload type 8, pkt len 200, RTP payload size 160, cat 0
00:00:00.058.781 INFO: DSCreateSession() created stream group "openli-voip-example", idx = 0, owner session = 0, status = 1
```

Dynamic session creation

- **Multithreaded**

- original 3GPP source modifications
  - instance create, delete, modify implemented using XDAIS standard
  - global data moved into per-instance “state structs”
- API interface
  - voplib shared object (.so) library, C/C++ applications include voplib.h
  - DSCodecCreate returns a codec handle, usable with DSCodecEncode and DSCodecDecode
  - also with various codec-related APIs. Some examples:
    - DSGetCodecSampleRate, DSGetCodecBitRate, DSGetCodecRawFrameSize, DSGetCodecCodedFrameSize, DSGetCodecInfo, DSGetSampleRateValue, DSGetPayloadSize, etc

- **Optimization**

- compiler optimizations
- pragmas
- XDAIS standard requires all memory allocation done up-front, so no real-time mallocs or spin-locks

- **Testing**

- unit / functional testing – mediaTest app, with audio I/O (wav and other audio format files, USB audio)
- capacity / stress testing – mediaMin app, with application packet push/pull APIs, pcap files, UDP port I/O
- system testing – using mediaMin app, highlighted in “Overview” slides
- bit-exactness testing – comparison of floating-point reference vectors



# Functionality – Codec API

```
/* codec instance definitions and APIs */

HCODEC DSCodecCreate(void* pCodecInfo, unsigned int uFlags); /* if DS_CC_USE_TERMINFO flag is given, pCodecInfo is interpreted as TERMINATION_INFO* (shared_include/session.h), otherwise as
CODEC_PARAMS* (above) */

void DSCodecDelete(HCODEC hCodec);

int DSCodecEncode(HCODEC hCodec,
    unsigned int uFlags,
    uint8_t* inData,
    uint8_t* outData,
    uint32_t in_frameSize,
    CODEC_OUTARGS* pOutArgs);

int DSCodecDecode(HCODEC hCodec,
    unsigned int uFlags,
    uint8_t* inData,
    uint8_t* outData,
    uint32_t in_frameSize, /* in bytes */
    CODEC_OUTARGS* pOutArgs);

typedef struct { /* CODEC_ENC_PARAMS */

/* generic items */

    int bitrate;
    int samplingRate; /* most codecs are based on a fixed sampling rate so this is used only for advanced codecs such as EVS and Opus */
    float frameSize; /* amount of data (in msec) processed by the codec per frame, for example 20 msec for AMR or EVS, 22.5 msec for MELPe, etc */

    :
    :

/* EVS, Opus, other advanced codec items */

    int sid_update_interval; /* interval between SID frames when DTX is enabled */
    int rf_enable; /* channel-aware mode (for EVS only supported at 13.2 kbps) */
    int fec_indicator; /* for EVS, LO = 0, HI = 1 */
    int fec_offset; /* for EVS, 2, 3, 5, or 7 in number of frames */
    int bandwidth_limit; /* for EVS, typically set to SWB or FB */

    :
    :

} CODEC_ENC_PARAMS;

typedef struct { /* CODEC_DEC_PARAMS */

/* generic items */

    int bitrate; /* bitrate may not be used for codecs that can derive it from payload contents */
    int samplingRate; /* not used for most codecs */
    float frameSize; /* amount of data (in msec) processed by the codec per frame, for example 20 msec for AMR or EVS, 22.5 msec for MELPe, etc */

    :
    :

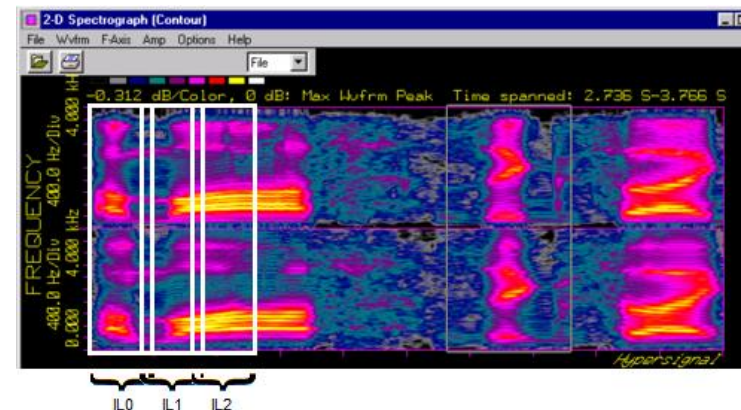
} CODEC_DEC_PARAMS;
```

## • voplib.h

- excerpt shown here
- available on Github page
- C/C++ compatible

# Functionality - Customer-Specific

- **Customers often ask us to incorporate / develop specific signal processing. Some examples:**
  - “deduplication” due to multiple copies of the same endpoint (with different latencies)
  - removing room echo / reverb
  - reducing background noise
- **Typically a substantial impact on performance**
- **Speech recognition (ASR)**
  - training is ultra sensitive to small changes in audio characteristics
  - production systems are trained with wide variety of “augmentations”, including background noise and babble, loud and quiet speech, frequency warping, etc.
  - preprocessing to normalize speech input decreases reliance on augmentation training and increases accuracy
  - major impact on performance; for real-time applications, concurrent streams may be reduced 10x



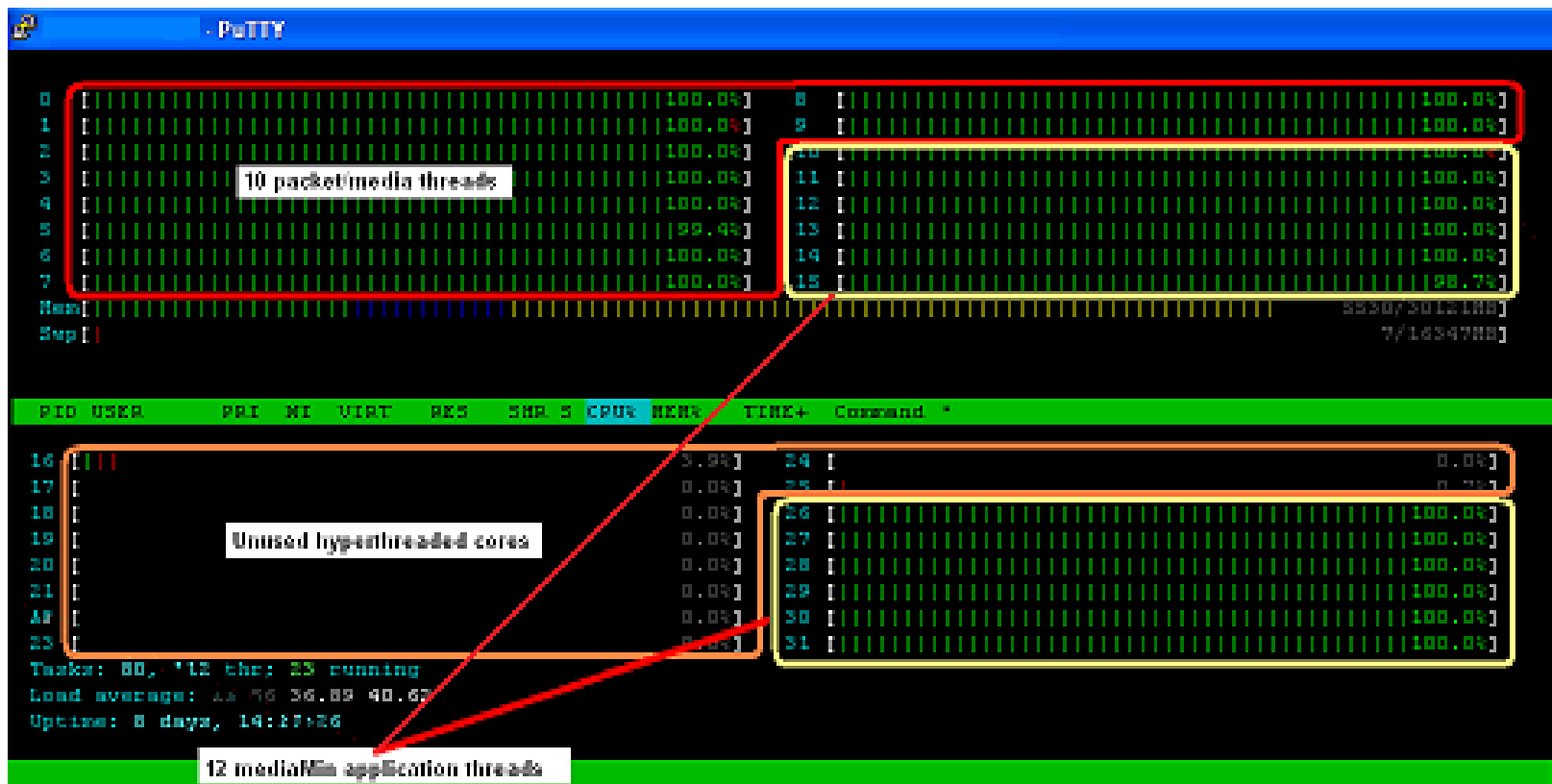
# Capacity

- **Performance optimized per box / VM / container**
  - for specified core type and clock rate, we spec a max number of concurrent streams per core. For codecs sample rate and bitrate also specified
  - extensive use of htop to analyze and verify
  - we observe telecom norms – Signallogic has a long history of applications coded for high capacity, real-time performance
- **Codecs**
  - in addition to core type and clock rate, sample rate and bitrate must also be specified
  - [https://www.signallogic.com/evs\\_codec](https://www.signallogic.com/evs_codec) has a Capacity Figure table for EVS on x86

# Capacity, cont.

- **Extensive use of htop and to analyze / debug core usage**
  - hyperthreading must be disabled
  - stream groups must not cross core boundaries
  - look for memory leaks

htop screen capture showing  
■ packet/media threads  
■ application threads  
■ disabled hyperthread cores



- **Optimized for Linux**

- Linux poses performance challenges - not deterministic, not an RTOS
- carriers and LEAs understand “software defined solutions” are not deterministic, but still expect high capacity / reliability
- software detects and alarms “thread preemption” – possible performance impairment due to Linux housekeeping and other user applications

- **GPUs and DPDK <sup>1</sup> may or may not be helpful**

- GPUs

- don't help with packet processing
- only “matrix expressible” operations can be easily accelerated
- can help with some codecs, but accelerating an entire codec is labor-intensive and requires hand-coding

- DPDK

- useful when combined with high-rate packet I/O hardware
- for PCIe accelerator cards, each x86 core needs a dedicated lane to avoid thread locks

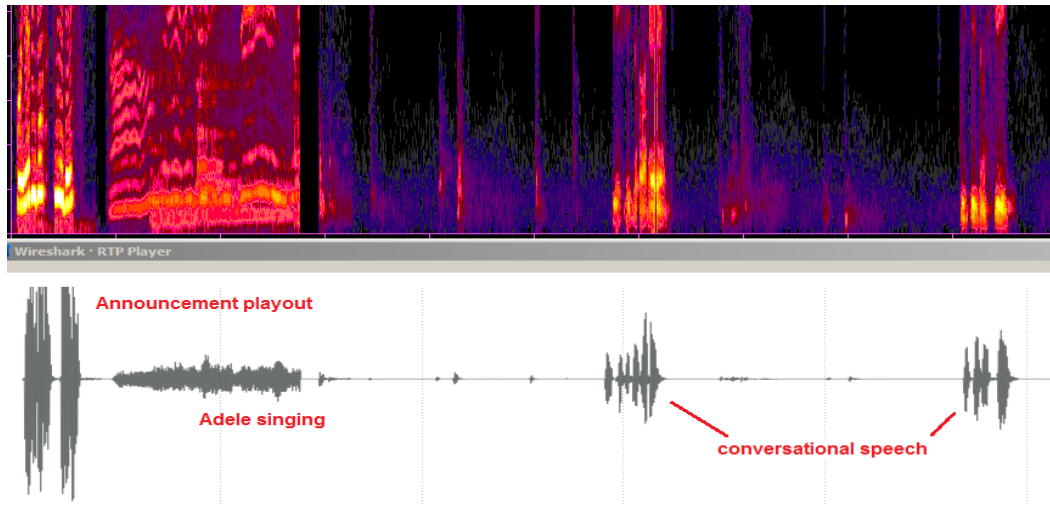
<sup>1</sup> Data Plane Development Kit – refers to non-Linux x86 cores dedicated to packet processing

# Reliability and Testing

- **Carriers and LEAs obsess about reliability**
  - very long calls are common. All possible packet and audio data buffers and wrap conditions that could occur must be tested
  - as with capacity, we pay attention to telecom requirements. “5 9s” up time is a minimum
- **Customers run stress tests for weeks at a time**
  - we run stress tests continuously for 6+ months
  - tests include pcaps with artificial wraps, 10x packet push rates, deliberate thread preemptions, more
  - tests run at max capacity ratings
  - currently we run tests on Ubuntu 12.04 gcc++ 4.6.4 thru 20.04 gcc++ 9.3.0. Testing can be provided on CentOS systems as needed
- **Extensive use of htop and valgrind**
  - thorough and painstaking search for memory leaks
- **Software is designed for high reliability**
  - profiling and performance monitoring
  - alarms include data flow anomalies, thread preemption
  - event and packet logging
  - telemetry

# Audio Quality

- **Certain customers obsess over audio quality**
  - we have observed customers using metronomes and whale sounds to verify timing and frequency integrity when testing endpoints
- **“No sound left behind”**
  - we enhance audio quality by detecting and repairing:
    - packet problems (lost packets, out-of-order, gaps, bursts)
    - stream timing (overrun, underrun, child streams)
- **Debug capability to identify root cause (CSP, cloud, or vendor)**
  - audio quality is complex and subjective; ability to identify root cause is crucial



Frequency domain analysis  
and corresponding Wireshark  
packet capture

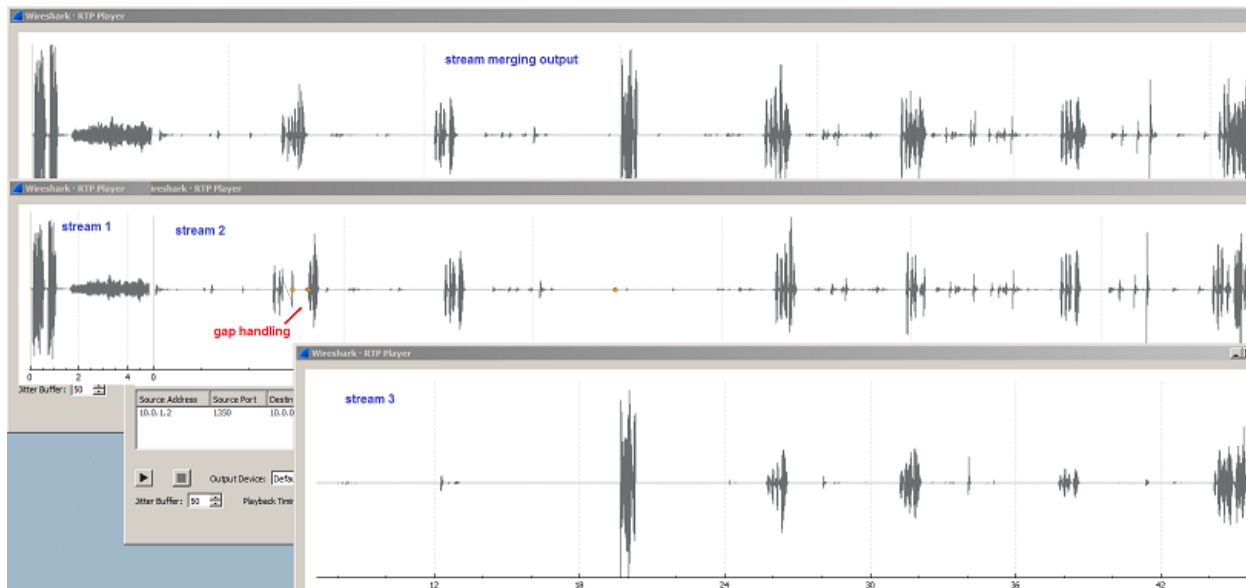
# Audio Quality Challenges

- **Encapsulation artifacts**

- encapsulation packet rate may be very different than original audio RTP packet rate - slow, fast, variable. We've seen up to  $\pm 15\%$
- extreme bursts of ooo (out-of-order) packets, 20-50 packets not uncommon

- **Streams not time-aligned**

- artifacts and child streams distributed unevenly between streams
- media playout servers are particularly bad offenders

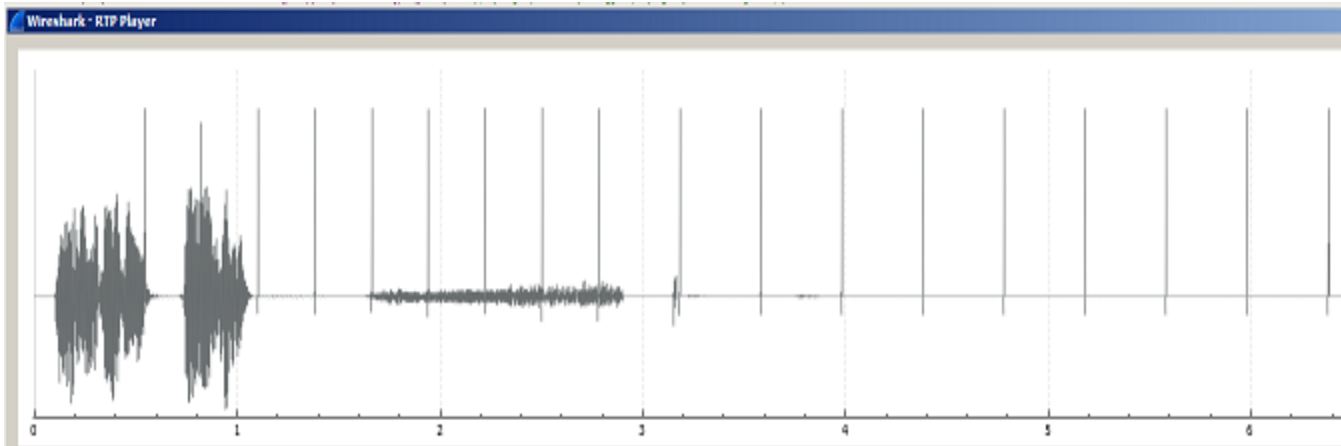


Multiple Wireshark captures showing stream merging of 3 endpoints



- **Test case verification**

- analysis and debug tools can pinpoint whether it's CSP, cloud, or handset issue
- visual audio markers can be enabled to verify timing, frame repair, etc. Different types of markers are supported



Wireshark screen capture showing audio markers inserted by software

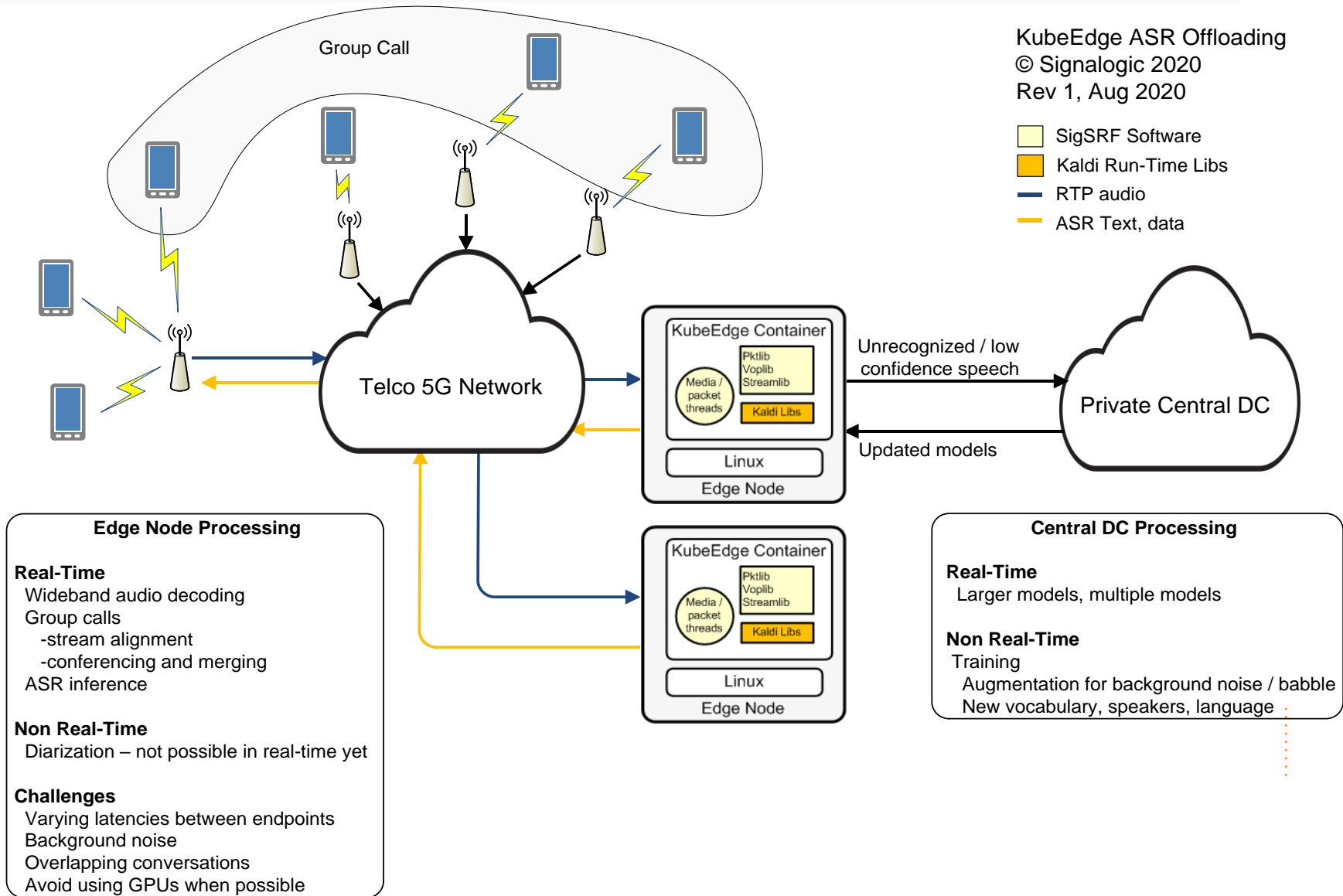
- **Content analysis and signal processing**
  - artifact detection
  - background noise reduction
  - detecting and avoiding conversation overlap (correcting time alignment between streams in a stream group)
  - stream deduplication
- **Content recognition**
  - speech recognition
  - speaker identification
  - we use Kaldi open source
  - requires tradeoff between capacity and real-time processing
- **RTP malware detection**
  - malware payloads can hide in codec packets
  - no way to differentiate “ordinary bad voice” from “deliberate bad voice” without extensive analysis of fully decoded packets

- **Edge Computing**
  - ongoing PoCs and LF Edge blueprints demonstrating hybrid cloud, enhanced privacy / security
  - many telecom carriers do not trust security in public clouds
- **ASR (Automatic Speech Recognition)**
  - can be done in real-time, but substantially less capacity
  - not yet in real-time: individual speaker identification and transcription, known as “diarization”
  - potential to reduce workloads, accurately alert on “conversations of interest”
  - open source accuracy only a few % WER<sup>2</sup> more than proprietary code bases
- **Telecom migration to public cloud**
  - containerized solutions needed
  - LI is a particular problem due to encryption requirements
  - allow CICD<sup>1</sup>, for example improving ASR accuracy with “on the fly” training based on collected data

<sup>1</sup> Continuous Integration, Continuous Deployment

<sup>2</sup> WER = Word Error Rate

# Edge Computing + Containerization



KubeEdge ASR Offloading  
 © Signallogic 2020  
 Rev 1, Aug 2020

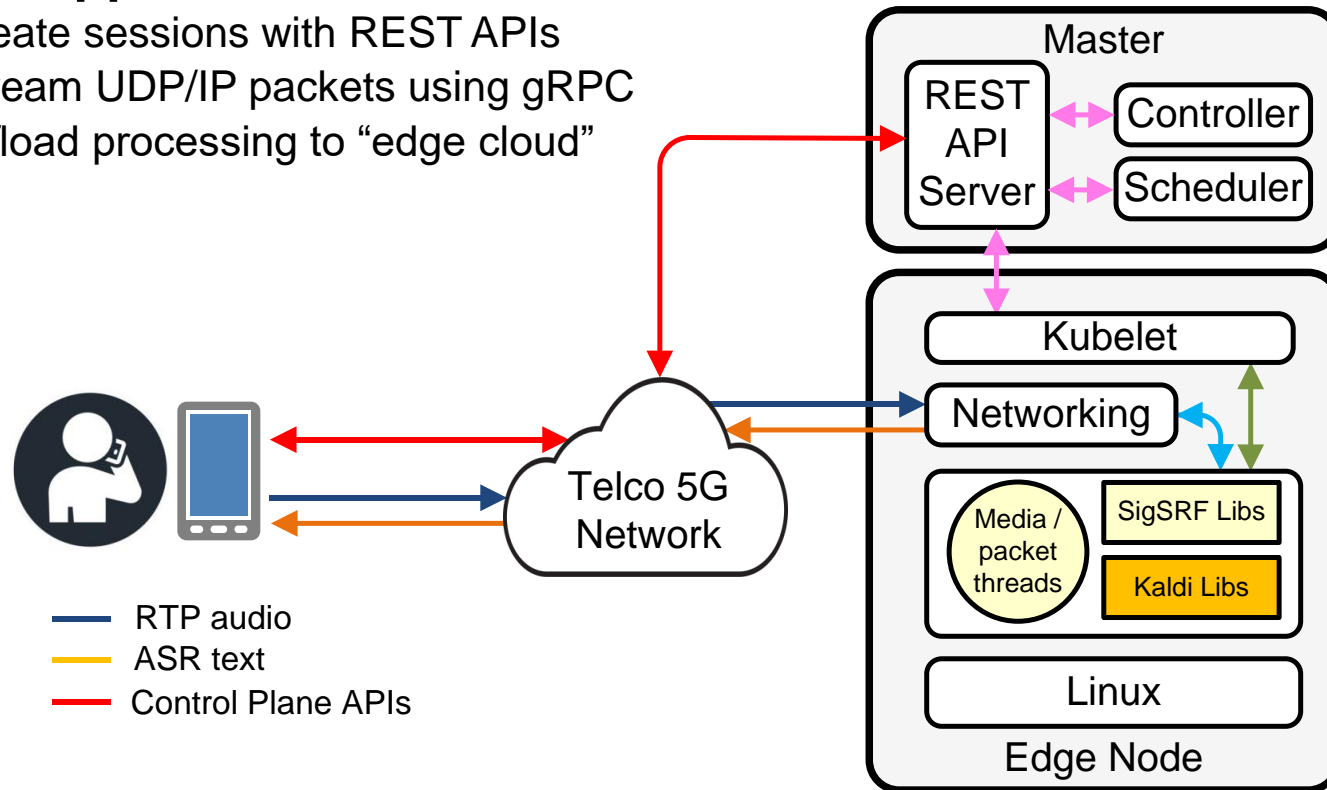
# Containers and Kubernetes

- **Packet + media + ASR inside container**

- minimum 2 x86 cores, 32 GB mem, 1 TB HDD can handle 32 sessions
- a session is wideband decode (e.g. EVS), jitter buffer, stream merging up to 8 stream groups, G711 pcap output, wideband wav file output
- scales up linearly with more cores

- **Field apps**

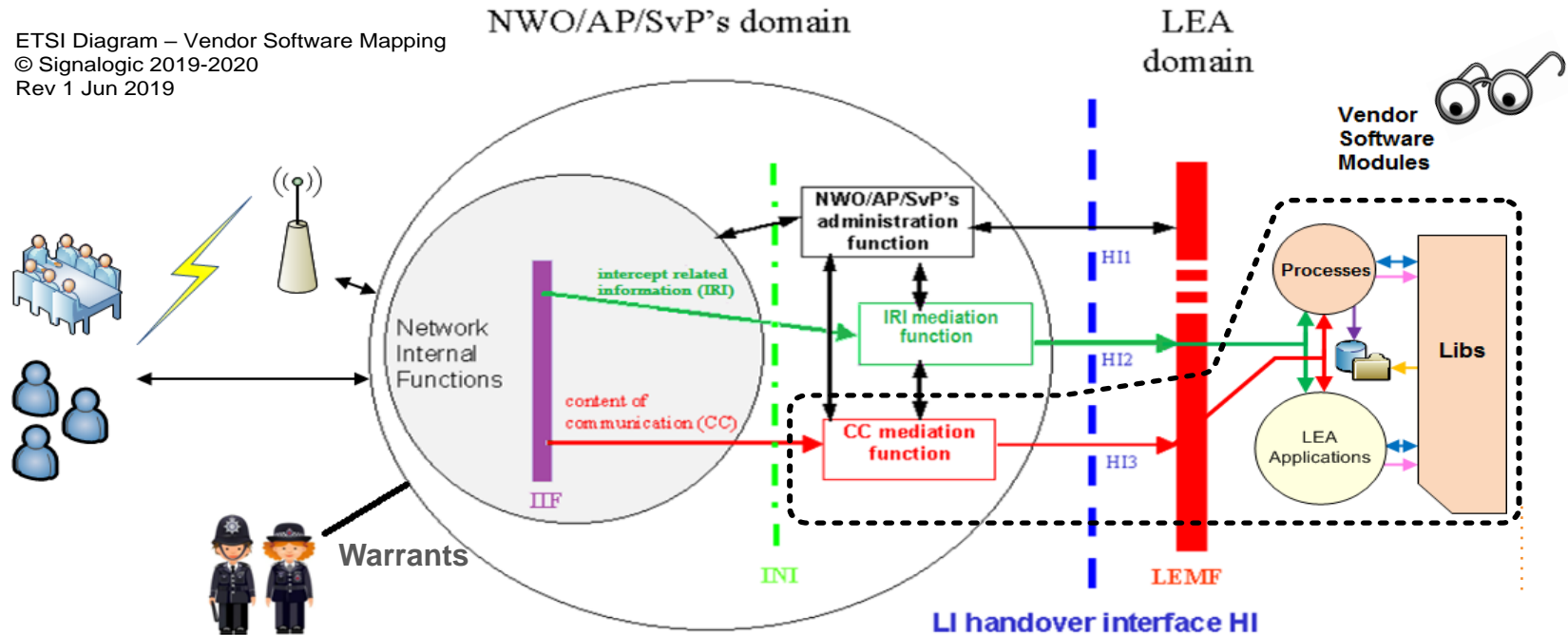
- create sessions with REST APIs
- stream UDP/IP packets using gRPC
- offload processing to “edge cloud”



# LI Perspective

- **ETSI LI Terminology: CC mediation (communication content), HI2 and HI3 (Handover Interfaces)**
- **Packet Handling**
  - Jitter buffer, packet repair, rate adjustment
- **Media**
  - Decoding (AMR, AMR-WB, EVS, more), stream alignment
- **Signal Processing**
  - Stream merging, conferencing, speech recognition

ETSI Diagram – Vendor Software Mapping  
 © Signallogic 2019-2020  
 Rev 1 Jun 2019



IIF: internal interception function  
 INI: internal network interface

HI1: administrative information  
 HI2: intercept related information  
 HI3: content of communication